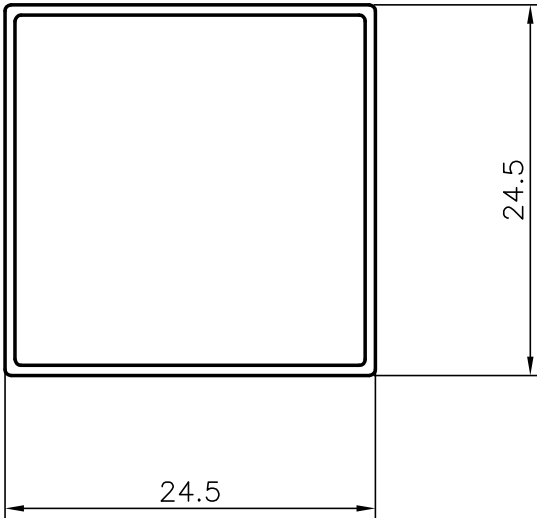
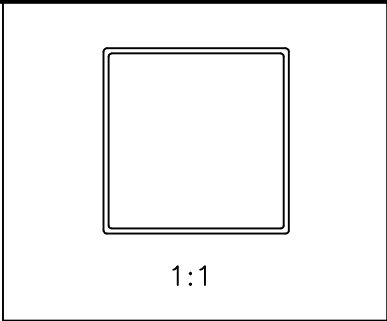



P-4543-1
2579
14520



GENERAL WALL THICKNESS :- 0.67 mm.

 SYMBOL OF QUALITY AN ISO 9001 COMPANY	JINDAL ALUMINIUM LTD. BANGALORE-560073 (INDIA)	NAME		DATE
		DRAWN	MALINGAPPA	04-11-2003
		CHECKED		
1. ALL DIMENSIONS ARE IN mm. 2. ROUND OFF ALL SHARP CORNERS WITH 0.40 mm. 3. TOLERANCES WILL BE AS PER IS: 6477-1983 UNLESS OTHERWISE SPECIFIED		APPROVED		
PARTY'S NAME		SCALE		2:1
		AREA mm ²		63.9
PARTY'S DRAWING No.		PERIMETER mm.		97.3
		WEIGHT kg/m		0.172
ALLOY & TEMPER		DRAWING No.	SECTION No.	
		P-4543-1	-	
DESCRIPTION		2579	2579	
		14520	14520	
ASIAN HARDWARE (PTE) LTD., COLOMBO				
AS PER SAMPLE				
HE9 WP				
SQUARE TUBE				