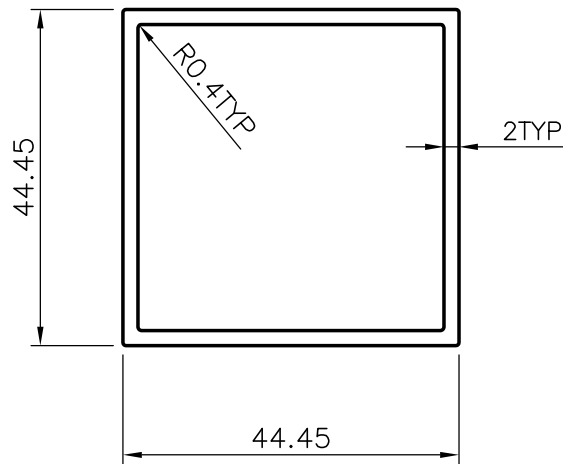



P-5046

14522



 SYMBOL OF QUALITY AN ISO 9001 COMPANY	JINDAL ALUMINIUM LTD. BANGALORE-560073 (INDIA)	NAME		DATE
		DRAWN	RAGHAVENDRA	24-08-2004
1. ALL DIMENSIONS ARE IN mm. 2. ROUND OFF ALL SHARP CORNERS WITH 0.40 mm. 3. TOLERANCES WILL BE AS PER BS:1474-1987 UNLESS OTHERWISE SPECIFIED		CHECKED		
		APPROVED		
PARTY'S NAME JOSEPH INDUSTRIES, DUBAI		SCALE		1:1
		AREA mm ²		339.6
PARTY'S DRAWING No. AS PER SPECIFICATION		PERIMETER mm.		177.113
		WEIGHT kg/m		0.917
ALLOY & TEMPER 6063 T6		DRAWING No.		SECTION No.
		P-5046		-
DESCRIPTION SQUARE TUBE		14522		14522