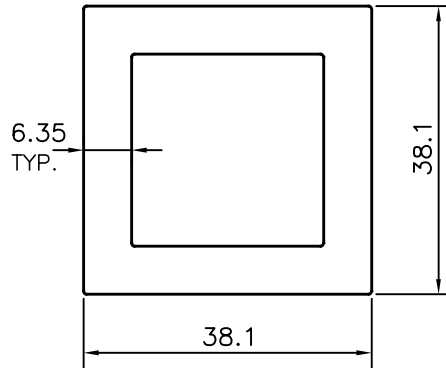


P-13601

14534



SYMBOL OF QUALITY
AN ISO 9001 COMPANY

JINDAL ALUMINIUM LTD.
BANGALORE-560073 (INDIA)

	NAME	DATE
DRAWN	<i>PARVESH</i>	22-05-2014
CHECKED		
APPROVED	S.S.GARG	26-05-2014
SCALE		1:1
AREA mm ²		806.45
PERIMETER mm.		151.713
WEIGHT kg/m		2.177
DRAWING No.	SECTION No.	
P-13601	-	
14534	14534	

1. ALL DIMENSIONS ARE IN mm.
2. ROUND OFF ALL SHARP CORNERS WITH 0.40 mm.
3. TOLERANCES WILL BE AS PER BS:EN-755-9 , UNLESS OTHERWISE SPECIFIED

PARTY'S NAME	PROSOURCE INDL. SOLUTIONS INC., CANADA
PARTY'S DRAWING No.	AS PER SPECIFICATION
ALLOY & TEMPER	6061 T6
DESCRIPTION	SQUARE TUBE