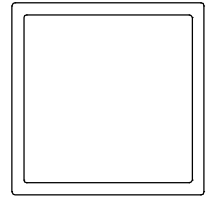
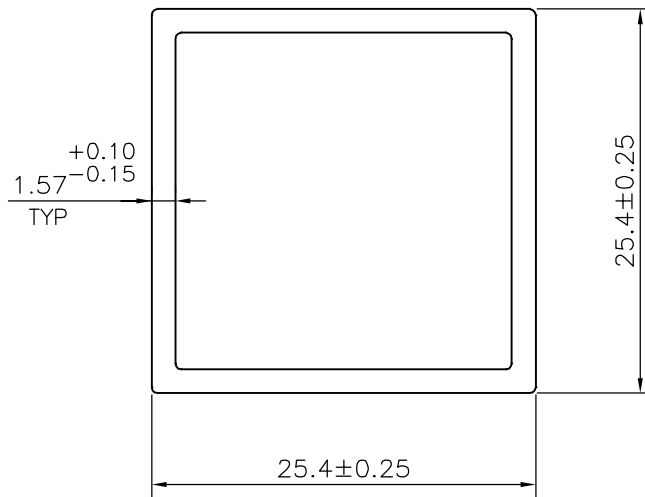


P-19071-1

14551



1:1



SYMBOL OF QUALITY
AN ISO 9001 COMPANY

JINDAL ALUMINIUM LTD.
BANGALORE-560073 (INDIA)

	NAME	DATE
DRAWN	J.P.KAUSHIK	01-02-2019
CHECKED		
APPROVED	B.NATARAJA	12-02-2019
SCALE		2:1
AREA mm ²		149.652
PERIMETER mm.		100.913
WEIGHT kg/m		0.404
DRAWING No.		SECTION No.
P-19071-1		-
14551		14551

1. ALL DIMENSIONS ARE IN mm.
2. ROUND OFF ALL SHARP CORNERS WITH 0.40 mm.
3. TOLERANCES WILL BE AS PER ANSI:H35.2-2009, UNLESS OTHERWISE SPECIFIED

PARTY'S NAME	FLODRIA ALUMINIUM, USA
PARTY'S DRAWING No.	FH-02195
ALLOY & TEMPER	6063 T5
DESCRIPTION	SQUAR TUBE