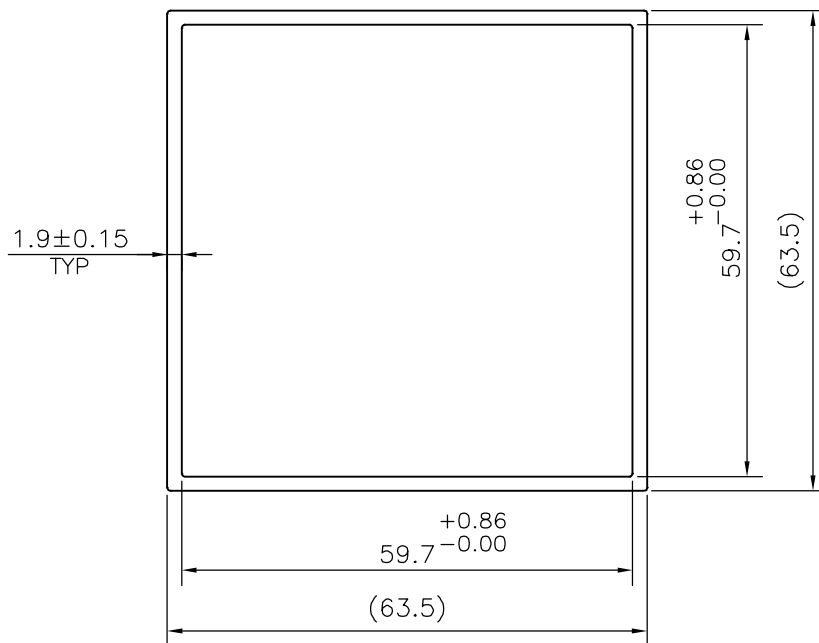


P-19524

14559

EXPOSED SURFACE →

SCALE: - 1:2



SYMBOL OF QUALITY  
AN ISO 9001 COMPANY

**JINDAL ALUMINIUM LTD.**  
BANGALORE-560073 (INDIA)

	NAME	DATE
DRAWN	J.P.KAUSHIK	14-05-2019
CHECKED		
APPROVED	B.NATARAJA	15-05-2019
SCALE		1:1
AREA mm <sup>2</sup>		468.16
PERIMETER mm.		253.313
WEIGHT kg/m		1.264
DRAWING No.		SECTION No.
P-19524		-
14559		14559

1. ALL DIMENSIONS ARE IN mm.
2. ROUND OFF ALL SHARP CORNERS WITH 0.40 mm.
3. TOLERANCES WILL BE AS PER ANSI:H35.2-2009, UNLESS OTHERWISE SPECIFIED

PARTY'S NAME	FLORIDA ALUMINIUM, USA
PARTY'S DRAWING No.	FH-01205
ALLOY & TEMPER	6063 T52
DESCRIPTION	SQUARE TUBE