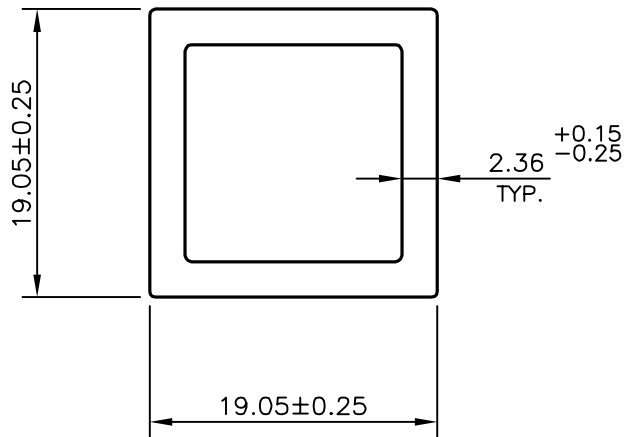
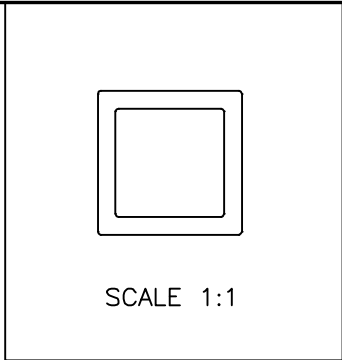



P-19555
14560



 SYMBOL OF QUALITY AN ISO 9001 COMPANY	JINDAL ALUMINIUM LTD. BANGALORE-560073 (INDIA)		NAME	DATE
		DRAWN	DARPAN	17-05-2019
1. ALL DIMENSIONS ARE IN mm. 2. ROUND OFF ALL SHARP CORNERS WITH 0.40 mm. 3. TOLERANCES WILL BE AS PER ANSI:H35.2-2009, UNLESS OTHERWISE SPECIFIED		CHECKED		
		APPROVED	B.NATARAJA	01-06-2019
PARTY'S NAME FLORIDA ALUMINIUM, USA		SCALE		2:1
		AREA mm ²		157.554
PARTY'S DRAWING No. FH-01015		PERIMETER mm.		75.513
		WEIGHT kg/m		0.425
ALLOY & TEMPER 6063 T5		DRAWING No.		SECTION No.
		P-19555		-
DESCRIPTION SQUARE TUBE		14560		14560