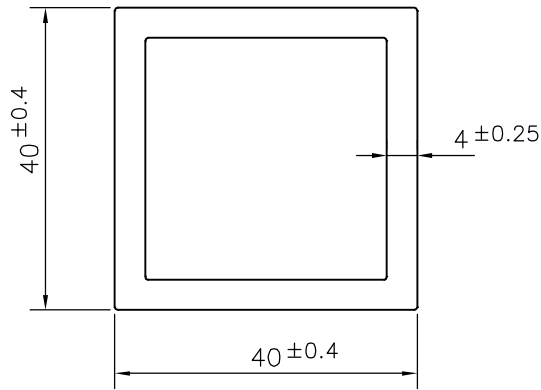



P-15657-1
X1992
14563



1. STRAIGHTNESS=1.0mm/M
2. TWIST=1.0mm/M
3. ANGULARITY= ±2°
4. FLATNESS =0.007xWIDTH

 SYMBOL OF QUALITY AN ISO 9001 COMPANY	JINDAL ALUMINIUM LTD. <i>BANGALORE-560073 (INDIA)</i>		NAME	DATE
		DRAWN	PARVESH	19-03-2016
1. ALL DIMENSIONS ARE IN mm. 2. ROUND OFF ALL SHARP CORNERS WITH 0.40 mm. 3. TOLERANCES WILL BE AS PER IS:6477-1983 , UNLESS OTHERWISE SPECIFIED		CHECKED		
		APPROVED	S.S. GARG	20-04-2016
PARTY'S NAME JARAA CNC PRODUCTS, HOSUR		SCALE		1:1
		AREA mm ²		576
PARTY'S DRAWING No. 000871		PERIMETER mm.		159.313
		WEIGHT kg/m		1.555
ALLOY & TEMPER 6063 T5		DRAWING No.		SECTION No.
		P-15657-1		-
DESCRIPTION SQUARE TUBE SECTION		X1992		X1992
		14563		14563