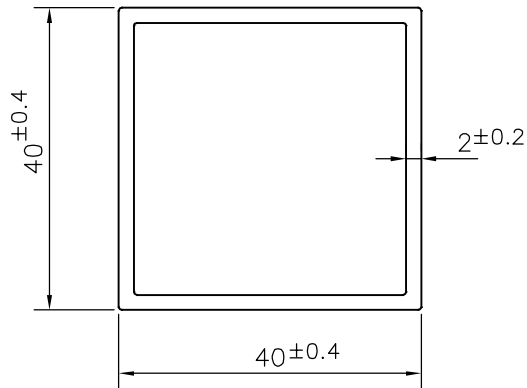



P-15658-1
X1993
14564



1. STRAIGHTNESS=1.0mm/M
2. TWIST=1.0mm/M
3. ANGULARITY= $\pm 2^\circ$
4. FLATNESS =0.007xWIDTH

 SYMBOL OF QUALITY AN ISO 9001 COMPANY	JINDAL ALUMINIUM LTD. <i>BANGALORE-560073 (INDIA)</i>		NAME	DATE
		DRAWN	<i>PARVESH</i>	19-03-2016
1. ALL DIMENSIONS ARE IN mm. 2. ROUND OFF ALL SHARP CORNERS WITH 0.40 mm. 3. TOLERANCES WILL BE AS PER IS:6477-1983 , UNLESS OTHERWISE SPECIFIED		CHECKED		
		APPROVED	S.S. GARG	20-04-2016
PARTY'S NAME JARAA CNC PRODUCTS, HOSUR		SCALE		1:1
		AREA mm ²		304
PARTY'S DRAWING No. 000872		PERIMETER mm.		159.313
		WEIGHT kg/m		0.821
ALLOY & TEMPER 6063 T5		DRAWING No.	SECTION No.	
		P-15658-1	-	
DESCRIPTION SQUARE TUBE SECTION		X1993	X1993	
		14564	14564	