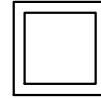
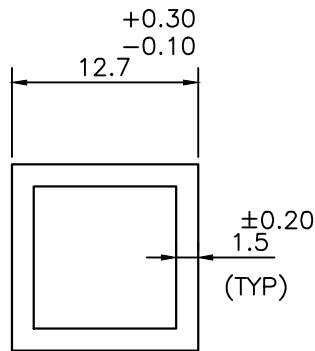



IAL-B-613
14572



ACTUAL SIZE



 SYMBOL OF QUALITY AN ISO 9001 COMPANY	JINDAL ALUMINIUM LTD. BANGALORE-560073 (INDIA)	NAME		DATE
		DRAWN	S.K.SHARMA	20-01-2022
1. ALL DIMENSIONS ARE IN mm. 2. ROUND OFF ALL SHARP CORNERS WITH 0.40 mm. 3. TOLERANCES WILL BE AS PER BS:EN-755-9 , UNLESS OTHERWISE SPECIFIED		SCALE		1:1&2:1
		AREA mm ²		67.3
PARTY'S NAME M/S. SHYAM ANTEENA		PERIMETER mm.		50.8
		WEIGHT kg/m		0.182
PARTY'S DRAWING No. AS PER DRAWING		DRAWING No.		SECTION No.
		IAL-B-613		-
ALLOY & TEMPER HE9 WP		14572		14572
DESCRIPTION SQUARE TUBE				