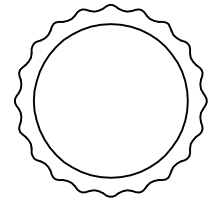
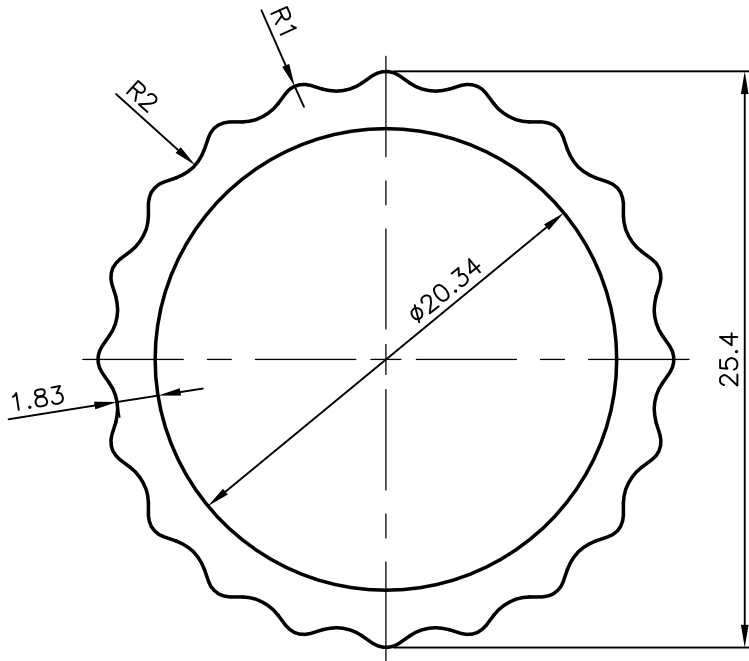



2627
14902
—



SCALE 1:1



3658 mm. LONG NO. OF PIECES IN 100 kgs:- 68 (AVERAGE)

 SYMBOL OF QUALITY AN ISO 9001 COMPANY	JINDAL ALUMINIUM LTD. BANGALORE-560073 (INDIA)	NAME		DATE
		DRAWN	PRASANN.H	08-10-2007
		CHECKED		
		APPROVED		
1. ALL DIMENSIONS ARE IN mm. 2. ROUND OFF ALL SHARP CORNERS WITH 0.4 mm. 3. TOLERANCES WILL BE AS PER IS:6477-1983 UNLESS OTHERWISE SPECIFIED		SCALE		3:1
		AREA mm ²		151.989
		PERIMETER mm.		83.683
PARTY'S NAME		WEIGHT kg/m		0.410
PARTY'S DRAWING No.		DRAWING No.	SECTION No.	
ALLOY & TEMPER		2627	2627	
DESCRIPTION		14902	14902	