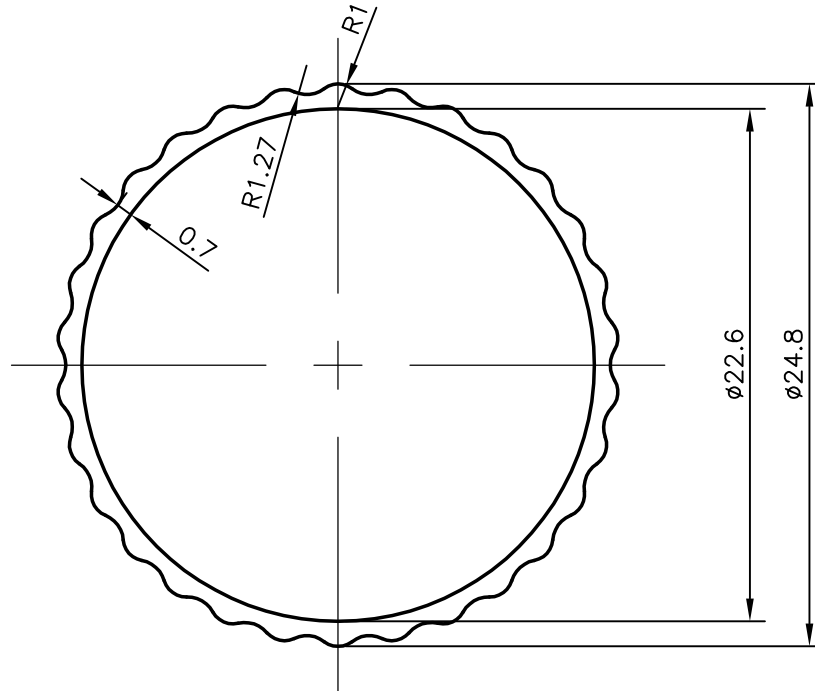


2631

14903

SCALE 1:1



SYMBOL OF QUALITY
AN ISO 9001 COMPANY

JINDAL ALUMINIUM LTD.
BANGALORE-560073 (INDIA)

	NAME	DATE
DRAWN	RAGHAVENDRA	18-12-2006
CHECKED		
APPROVED		

1. ALL DIMENSIONS ARE IN mm.
2. ROUND OFF ALL SHARP CORNERS WITH 0.40 mm.
3. TOLERANCES WILL BE AS PER IS:6477-1983 UNLESS OTHERWISE SPECIFIED

SCALE	3:1
AREA mm ²	66.213
PERIMETER mm.	81.546
WEIGHT kg/m	0.179

PARTY'S NAME	-	DRAWING No.	2631	SECTION No.	2631
PARTY'S DRAWING No.	-		14903		14903
ALLOY & TEMPER	HE9 WP				
DESCRIPTION	FLUTED ROUND TUBE				