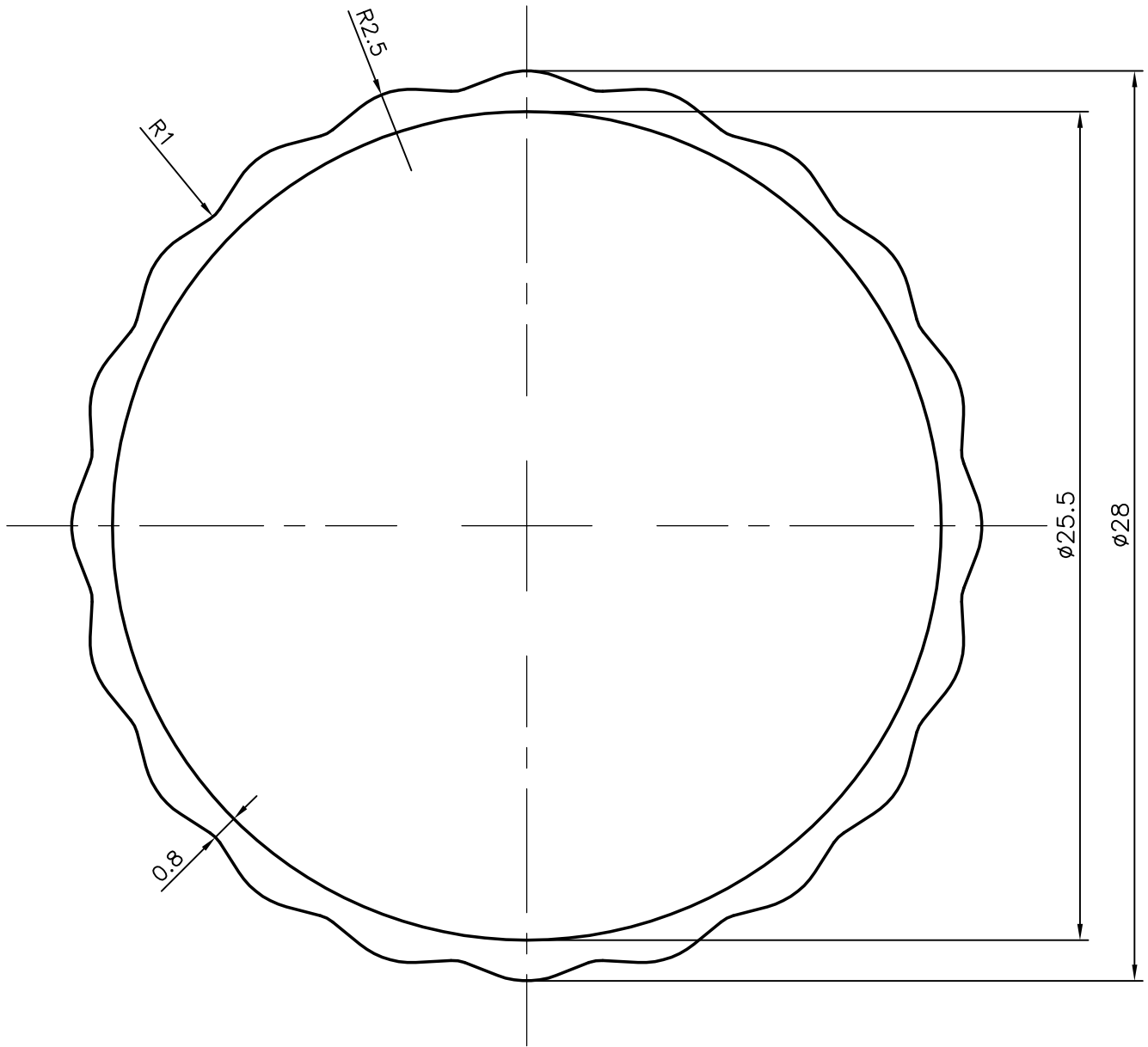
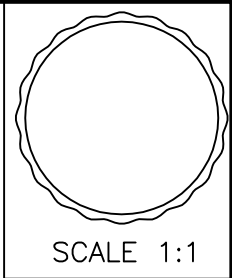


2633
14905
-



JINDAL ALUMINIUM LTD.
 BANGALORE-560073 (INDIA)

	NAME	DATE
DRAWN	PRASANN.H	27-12-2006
CHECKED		
APPROVED		

1. ALL DIMENSIONS ARE IN mm.
2. ROUND OFF ALL SHARP CORNERS WITH 0.4 mm.
3. TOLERANCES WILL BE AS PER IS:2673-1979 UNLESS OTHERWISE SPECIFIED

SCALE	5:1
AREA mm ²	87.313
PERIMETER mm.	88.874
WEIGHT kg/m	0.237

PARTY'S NAME	MAC INTERNATIONAL, NEW DELHI
PARTY'S DRAWING No.	-
ALLOY & TEMPER	HE9 WP
DESCRIPTION	FLUTED ROUND TUBE

DRAWING No.	SECTION No.
2633	2633
14905	14905
-	-