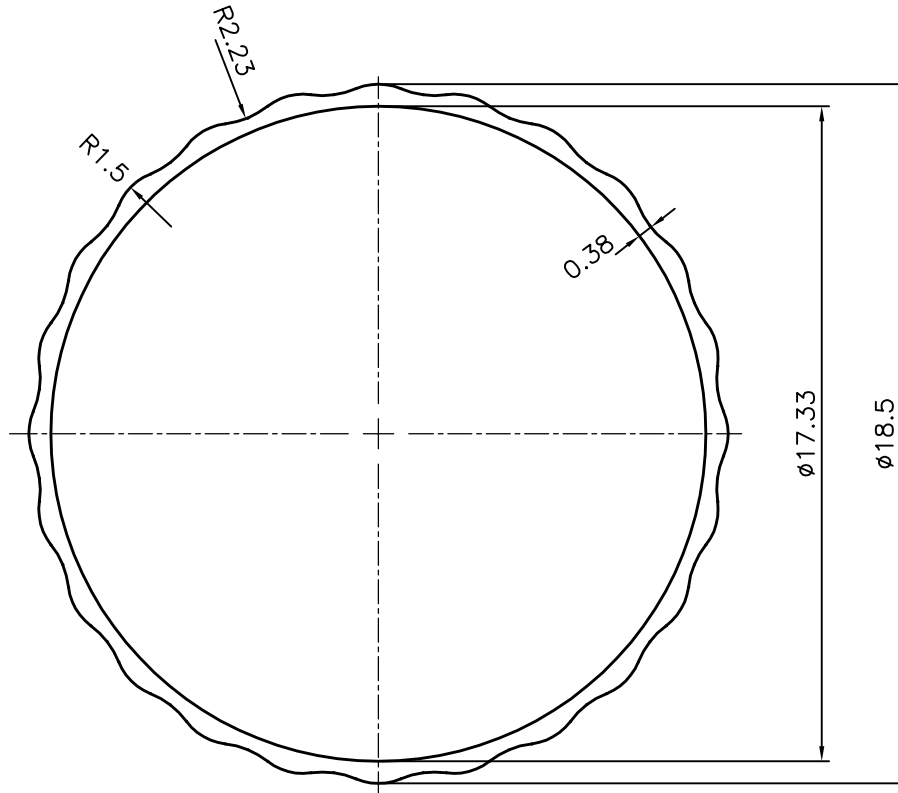


2635

14907

1:1




NO. OF PIECES IN 100 kgs:- 368 (AVERAGE)

NUMBER OF FLUTES = 24

ISSUE-2: -

THICKNESS REDUCED FROM 0.414 TO 0.38 mm

WEIGHT ALSO CHANGED FROM 0.078KG/M TO 0.074 kg/M

 SYMBOL OF QUALITY AN ISO 9001 COMPANY	JINDAL ALUMINIUM LTD. BANGALORE-560073 (INDIA)	NAME	DATE
		DRAWN	J.P.KAUSHIK 29-11-2013
		CHECKED	
		APPROVED	S.S.GARG 29-11-2013
1. ALL DIMENSIONS ARE IN mm. 2. ROUND OFF ALL SHARP CORNERS WITH 0.40 mm. 3. TOLERANCES WILL BE AS PER IS:6477-1983 UNLESS OTHERWISE SPECIFIED		SCALE	5:1
		AREA mm ²	27.005
		PERIMETER mm.	58.587
PARTY'S NAME	GENERAL CATEGORY, DELHI MARKET	WEIGHT kg/m	0.074
PARTY'S DRAWING No.	-	DRAWING No.	SECTION No.
ALLOY & TEMPER	HE9 WP	2635	2635
DESCRIPTION	FLUTED ROUND TUBE	14907	14907(ISSUE-2)