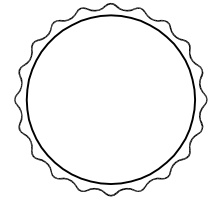
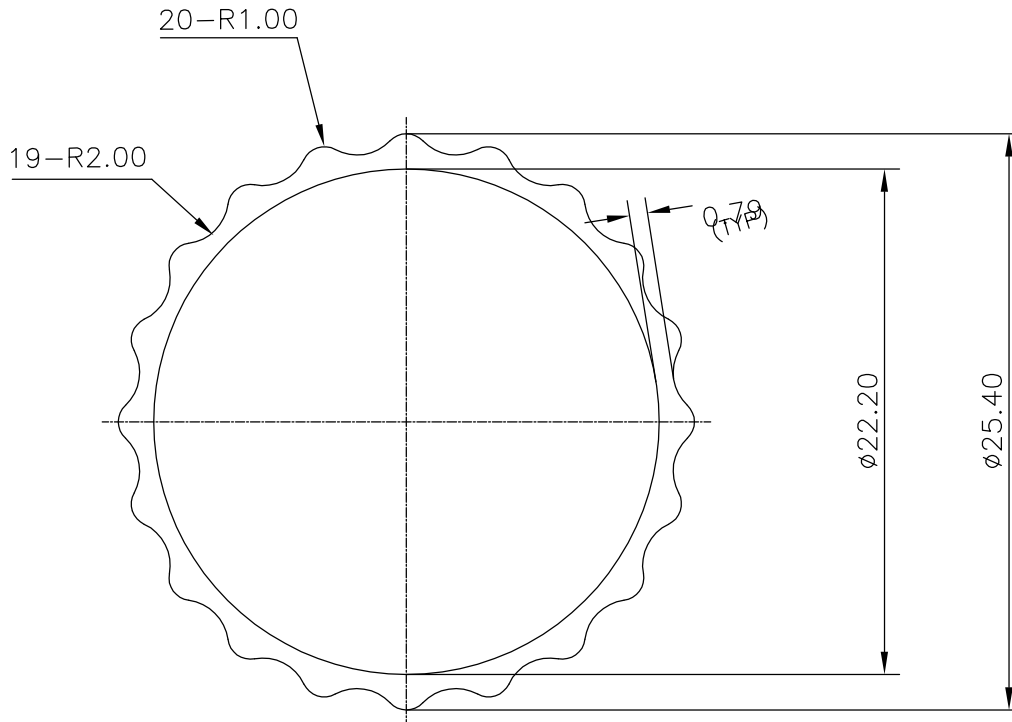


2636

14908



1:1



- 1) 3658 mm, LONG PIECES IN 100 Kgs = 123 (AVERAGE)
- 2) CUTTING LENGTH = 3658 mm



SYMBOL OF QUALITY  
AN ISO 9002 COMPANY

**JINDAL ALUMINIUM LTD.**  
**BANGALORE-560073 (INDIA)**

NAME

DATE

DRAWN

P,KULKARNI

19-8-99

CHECKED

APPROVED

1. ALL DIMENSIONS ARE IN mm.
2. ROUND OFF ALL SHARP CORNERS WITH 0.40 mm.
3. TOLERANCES WILL BE AS PER 6477-1983 UNLESS OTHERWISE SPECIFIED

SCALE

3:1

PARTY'S NAME

GENERAL CATEGORY (MUMBAI MARKET)

WEIGHT kg/m

0.226

PARTY'S DRAWING No.

2627 JAL MODIFIED

SECTION No.

14908

ALLOY &amp; TEMPER

HE9 WP

DRAWING No.

DESCRIPTION

FLUTED ROUND TUBE

14908