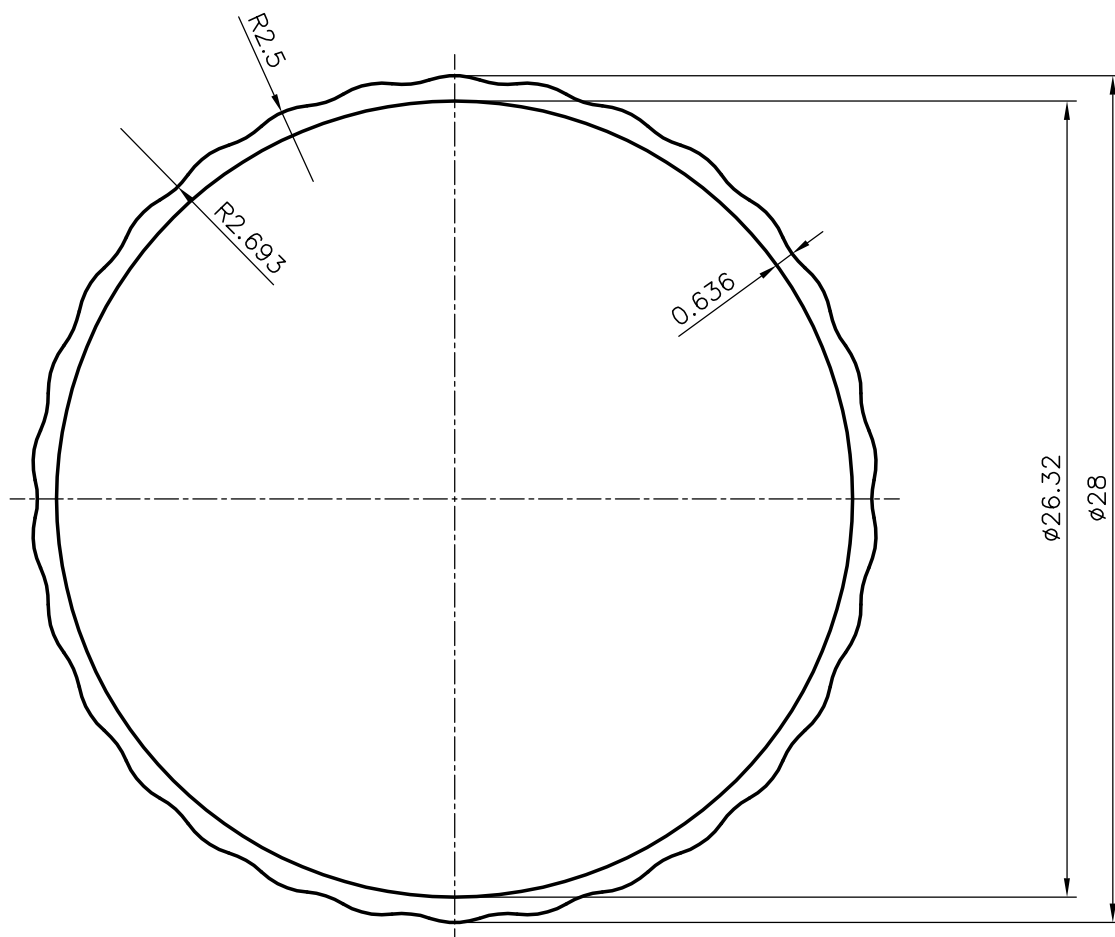


2640

14911

SCALE 1:1

3658 mm, LONG PIECES IN 100 Kgs = 160 (AVERAGE)



NUMBER OF FLUTES = 30



SYMBOL OF QUALITY  
AN ISO 9002 COMPANY

**JINDAL ALUMINIUM LTD.**  
BANGALORE-560073 (INDIA)

	NAME	DATE
DRAWN	RAGHAVENDRA	20-03-2004
CHECKED		
APPROVED		

1. ALL DIMENSIONS ARE IN mm.
2. ROUND OFF ALL SHARP CORNERS WITH 0.40 mm.
3. TOLERANCES WILL BE AS PER IS:6477-1983 UNLESS OTHERWISE SPECIFIED

SCALE	4:1
AREA mm <sup>2</sup>	63.163
PERIMETER mm.	88.493
WEIGHT kg/m	0.171

PARTY'S NAME	GENERAL CATEGORY	DRAWING No.	SECTION No.
PARTY'S DRAWING No.	-	2640	2640
ALLOY & TEMPER	HE9 WP	14911	14911
DESCRIPTION	FLUTED ROUND TUBE		