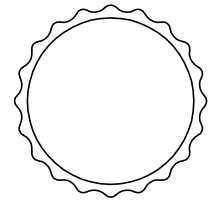
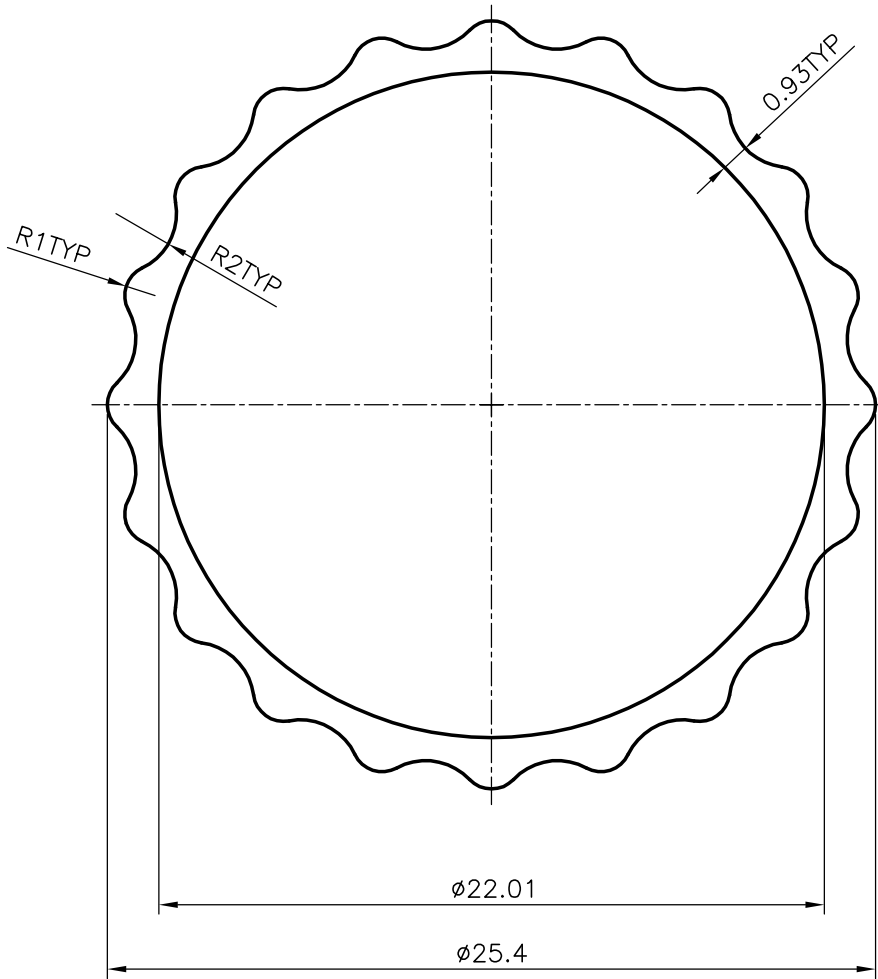



P-4665
2643
14914



SCALE 1:1



3658 mm, LONG PIECES IN 100 Kgs = 108 (AVERAGE)

 SYMBOL OF QUALITY AN ISO 9002 COMPANY	JINDAL ALUMINIUM LTD. BANGALORE-560073 (INDIA)	NAME		DATE
		DRAWN	RAGHAVENDRA	22-01-2004
1. ALL DIMENSIONS ARE IN mm. 2. ROUND OFF ALL SHARP CORNERS WITH 0.40 mm. 3. TOLERANCES WILL BE AS PER IS:6477-1983 UNLESS OTHERWISE SPECIFIED		CHECKED		
		APPROVED		
PARTY'S NAME GENERAL CATEGORY ,. DELHI MARKET		SCALE		4:1
		AREA mm ²		93.459
PARTY'S DRAWING No. HEAVIER SECTION OF 2636		PERIMETER mm.		85.025
		WEIGHT kg/m		0.252
ALLOY & TEMPER HE9 WP		DRAWING No.		SECTION No.
		P-4665		P-4665
DESCRIPTION FLUTED ROUND TUBE		2643		2643
		14914		14914