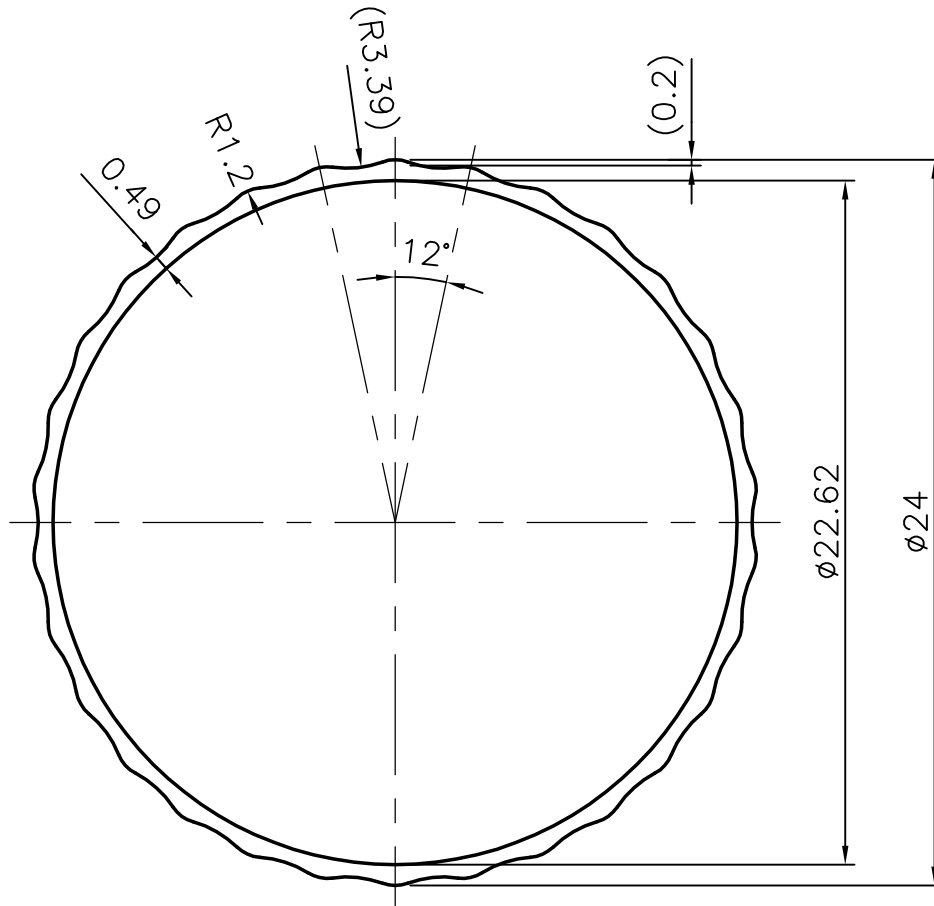
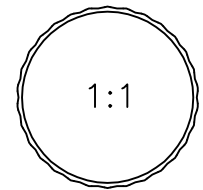


P-5416

14915



NO. OF FLUTES = 30



SYMBOL OF QUALITY  
AN ISO 9001 COMPANY

**JINDAL ALUMINIUM LTD.**  
BANGALORE-560073 (INDIA)

	NAME	DATE
DRAWN	MALINGAPPA	06.04.2005
CHECKED		
APPROVED		
SCALE		4:1
AREA mm <sup>2</sup>		42.169
PERIMETER mm.		75.974
WEIGHT kg/m		0.114
DRAWING No.		SECTION No.
P-5416		P-5416
14915		14915

1. ALL DIMENSIONS ARE IN mm.
2. ROUND OFF ALL SHARP CORNERS WITH 0.40 mm.
3. TOLERANCES WILL BE AS PER IS: 6477-1983 UNLESS OTHERWISE SPECIFIED

PARTY'S NAME	GENERAL CATEGORY, DELHI MARKET
PARTY'S DRAWING No.	AS PER SAMPLE
ALLOY & TEMPER	HE9 WP
DESCRIPTION	FLUTED ROUND TUBE