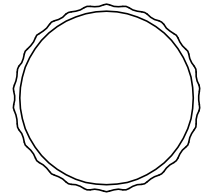


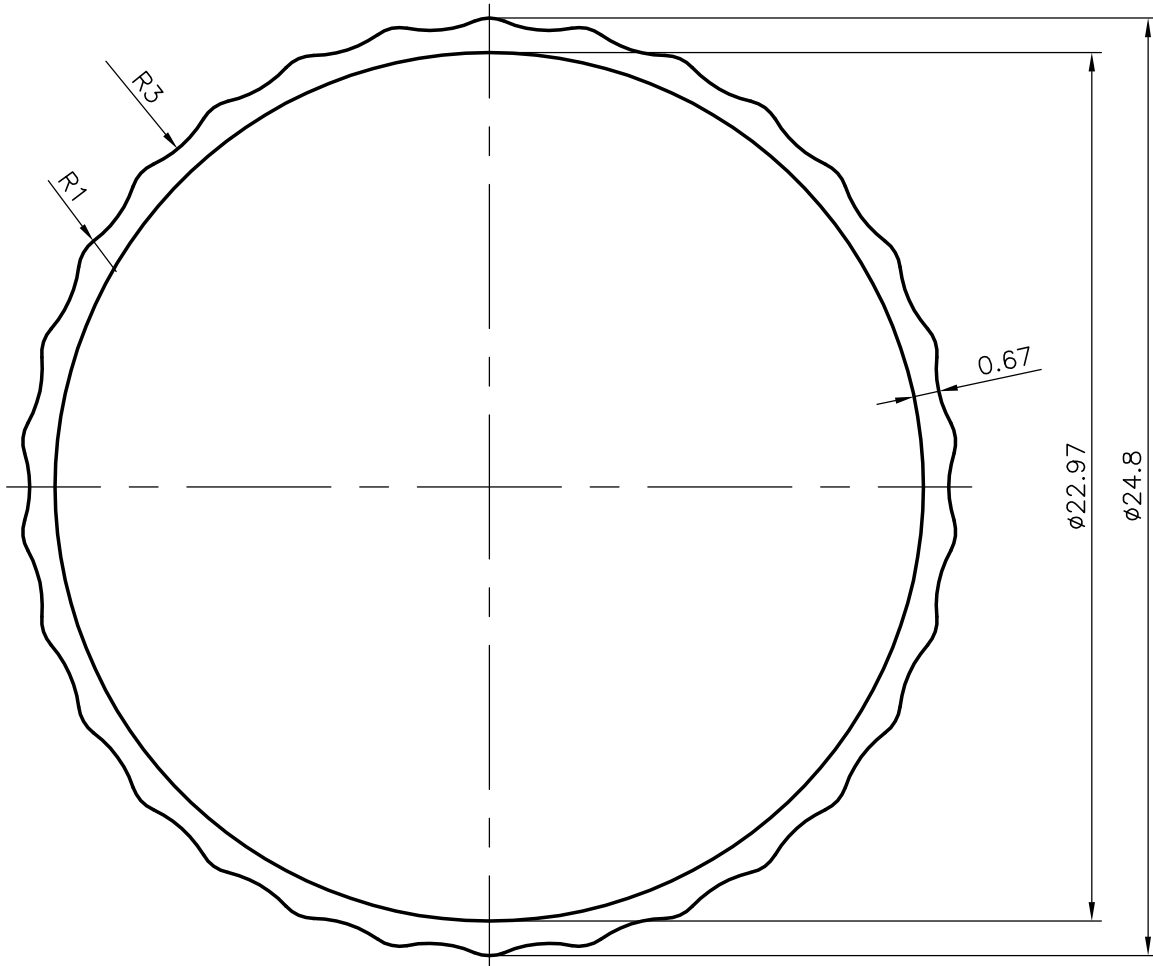
P-5677

14916



SCALE 1:1

WEIGHT PER 3658 mm. LONG PIECE:- 0.570 kgs (AVERAGE)



SYMBOL OF QUALITY
AN ISO 9002 COMPANY

JINDAL ALUMINIUM LTD.
BANGALORE-560073 (INDIA)

	NAME	DATE
DRAWN	MALINGAPPA	12-07-2005
CHECKED		
APPROVED		

1. ALL DIMENSIONS ARE IN mm.
2. ROUND OFF ALL SHARP CORNERS WITH 0.40 mm.
3. TOLERANCES WILL BE AS PER IS:6477-1983 UNLESS OTHERWISE SPECIFIED

SCALE	5:1
AREA mm ²	57.888
PERIMETER mm.	78.883
WEIGHT kg/m	0.156

PARTY'S NAME	GENERAL CATEGORY, CHENNAI MARKET	DRAWING No.	P-5677	SECTION No.	-
PARTY'S DRAWING No.	AS PER SAMPLE & REQUIREMENT		14916		14916
ALLOY & TEMPER	HE9 WP				
DESCRIPTION	FLUTED ROUND TUBE				