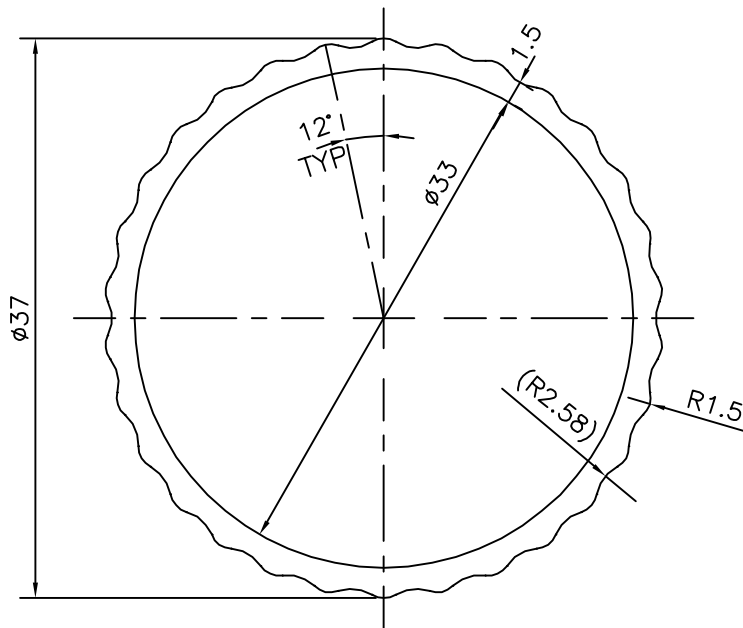
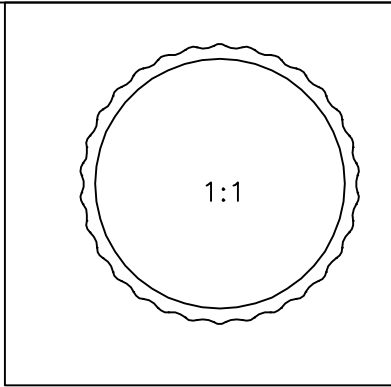



P-13641
S4146
14920



 SYMBOL OF QUALITY AN ISO 9001 COMPANY	JINDAL ALUMINIUM LTD. BANGALORE-560073 (INDIA)		NAME	DATE
		DRAWN	J.P.KAUSHIK	13-06-2014
1. ALL DIMENSIONS ARE IN mm. 2. ROUND OFF ALL SHARP CORNERS WITH 0.40 mm. 3. TOLERANCES WILL BE AS PER IS:6477-1983 UNLESS OTHERWISE SPECIFIED		CHECKED		
		APPROVED	S.S.GARG	16-06-2014
PARTY'S NAME MESSER CUTTING SYSTEMS INDIA PVT. LTD., COIMBATORE		SCALE		2:1
		AREA mm ²		189.307
PARTY'S DRAWING No. AS PER SPECIFICATION		PERIMETER mm.		119.732
		WEIGHT kg/m		0.511
ALLOY & TEMPER HE9 WP		DRAWING No.	SECTION No.	
		P-13641	-	
DESCRIPTION FLUTED ROUND TUBE		S4146	S4146	
		14920	14920	