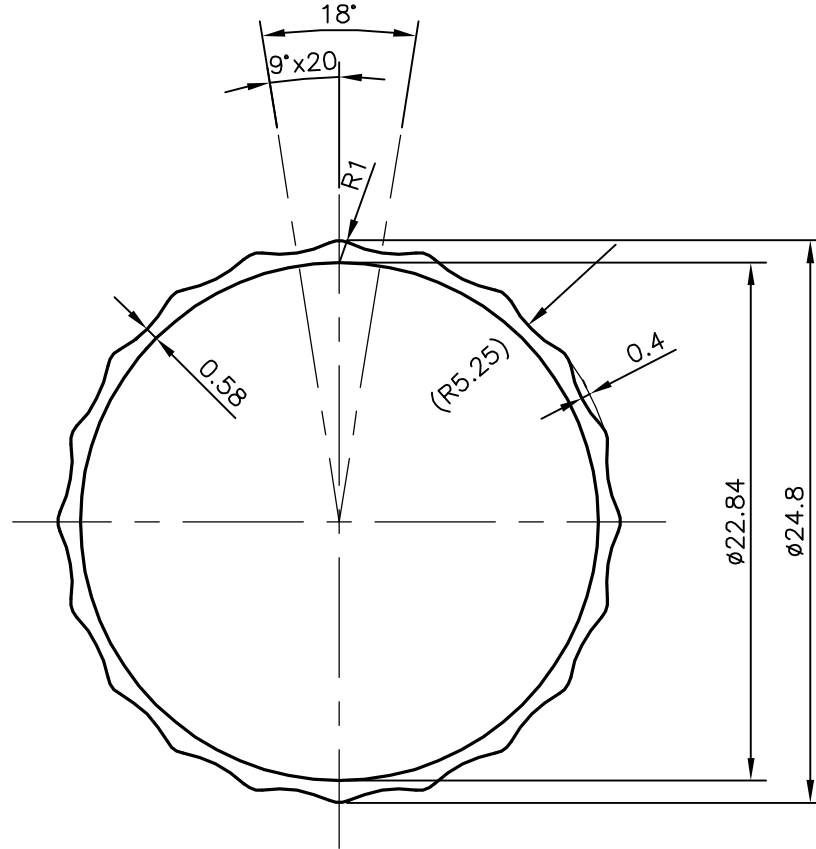


P-16096

14921

SCALE 1:1



SYMBOL OF QUALITY  
AN ISO 9001 COMPANY

**JINDAL ALUMINIUM LTD.**  
BANGALORE-560073 (INDIA)

	NAME	DATE
DRAWN	J.P.KAUSHIK	08-07-2016
CHECKED		
APPROVED	S.S. GARG	28-07-2016

1. ALL DIMENSIONS ARE IN mm.
2. ROUND OFF ALL SHARP CORNERS WITH 0.40 mm.
3. TOLERANCES WILL BE AS PER IS:6477-1983 UNLESS OTHERWISE SPECIFIED

SCALE	3:1
AREA mm <sup>2</sup>	54.963
PERIMETER mm.	78.621
WEIGHT kg/m	0.148

PARTY'S NAME	GENERAL CATEGORY, CHENNAI MARKET	DRAWING No.	SECTION No.
PARTY'S DRAWING No.	AS PER SPECIFICATION	P-16096	-
ALLOY & TEMPER	HE9 WP	14921	14921
DESCRIPTION	FLUTED ROUND TUBE		