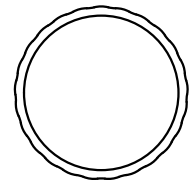
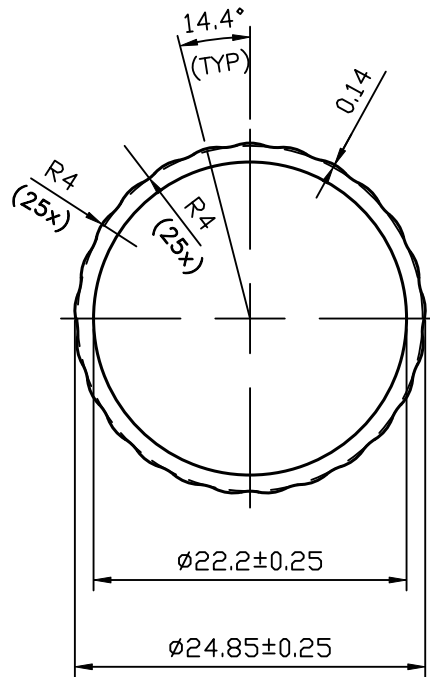



IAL-B-956
14923



ACTUAL SIZE



 SYMBOL OF QUALITY AN ISO 9001 COMPANY	<b>JINDAL ALUMINIUM LTD.</b> BANGALORE-560073 (INDIA)		NAME	DATE
		DRAWN	S.K.SHARMA	22-02-2022
		CHECKED		
		APPROVED		
1. ALL DIMENSIONS ARE IN mm. 2. ROUND OFF ALL SHARP CORNERS WITH 0.40 mm. 3. TOLERANCES WILL BE AS PER BS:EN-755-9 , UNLESS OTHERWISE SPECIFIED		SCALE		1:1&3:1
		AREA mm <sup>2</sup>		98.96
		PERIMETER mm.		78.19
		WEIGHT kg/m		0.267
PARTY'S NAME	M/S. UNGER INDIA	DRAWING No.		SECTION No.
PARTY'S DRAWING No.	AS PER DRAWING	IAL-B-956	-	
ALLOY & TEMPER	6063-T6	14923	14923	
DESCRIPTION	FLUTED ROUND TUBE			