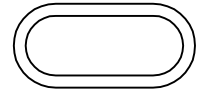
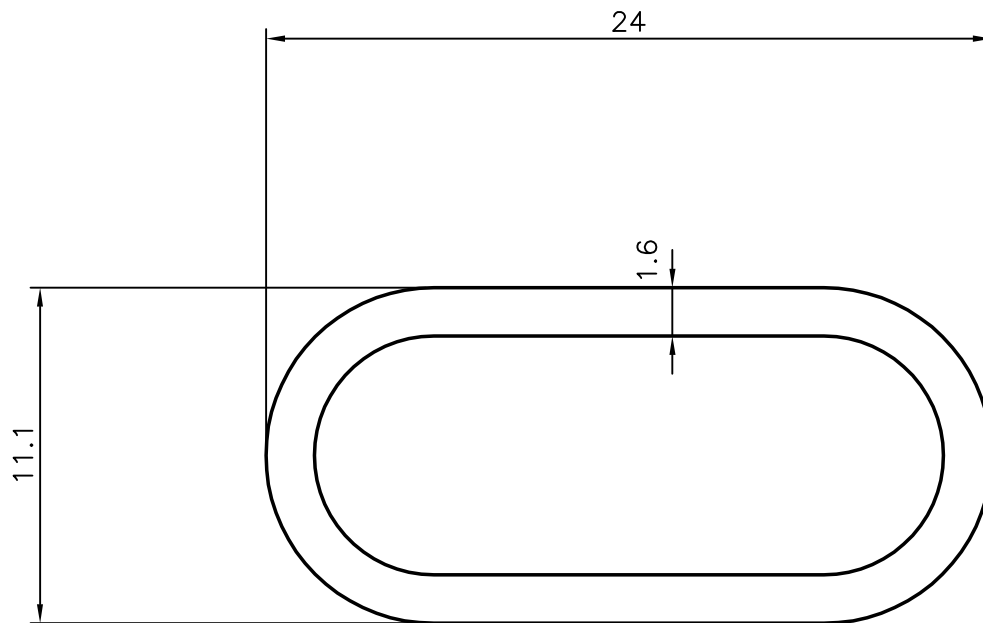


2659

15005



1:1



SYMBOL OF QUALITY
AN ISO 9002 COMPANY

JINDAL ALUMINIUM LTD.
BANGALORE-560073 (INDIA)

	NAME	DATE
DRAWN	J.P.KAUSHIK	12-09-2005
CHECKED		
APPROVED		

1. ALL DIMENSIONS ARE IN mm.
2. ROUND OFF ALL SHARP CORNERS WITH 0.40 mm.
3. TOLERANCES WILL BE AS PER IS: 6477-1983 UNLESS OTHERWISE SPECIFIED

SCALE	4:1
AREA mm ²	89.032
PERIMETER mm.	60.672
WEIGHT kg/m	0.240

PARTY'S NAME	MAC DECOR PVT.LTD.,NEW DELHI
--------------	------------------------------

PARTY'S DRAWING No.	-
---------------------	---

ALLOY & TEMPER	HEP WP
----------------	--------

DESCRIPTION	OVAL TUBE
-------------	-----------

DRAWING No.	SECTION No.
2659	2659
15005	15005