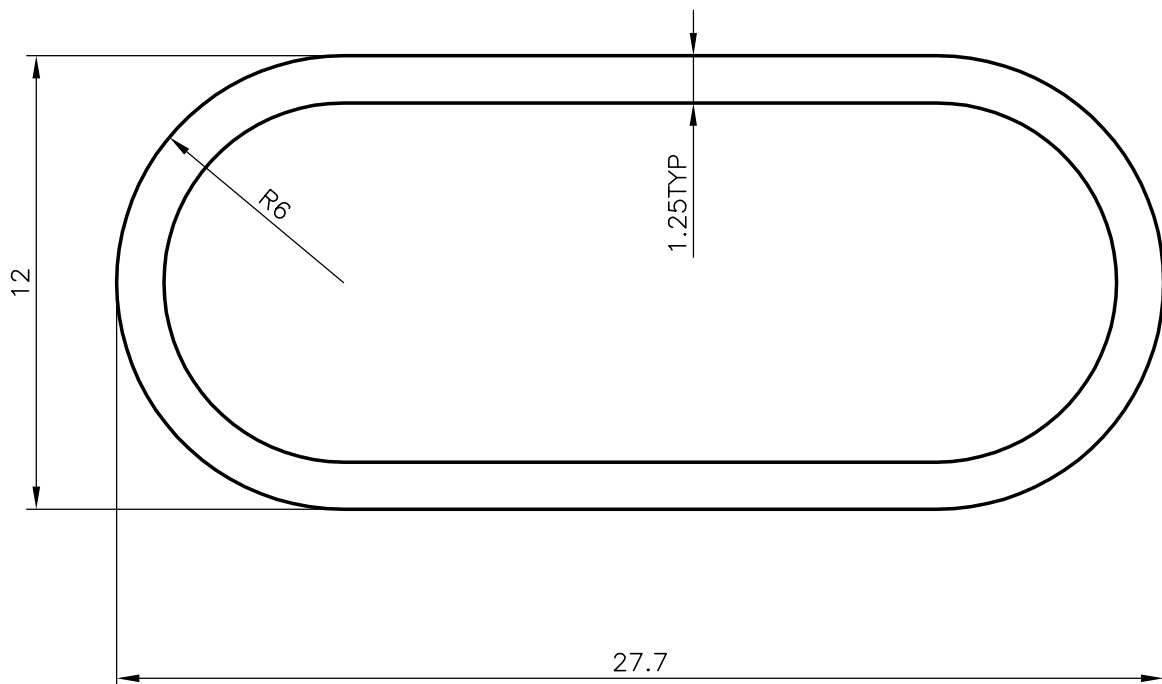


P-5165

S1368

15007

SCALE 1:1



SYMBOL OF QUALITY
AN ISO 9001 COMPANY

JINDAL ALUMINIUM LTD.
BANGALORE-560073 (INDIA)

	NAME	DATE
DRAWN	RAGHAVENDRA	23-11-2004
CHECKED		
APPROVED		

1. ALL DIMENSIONS ARE IN mm.
2. ROUND OFF ALL SHARP CORNERS WITH 0.40 mm.
3. TOLERANCES WILL BE AS PER IS:6477-1983 UNLESS OTHERWISE SPECIFIED

SCALE	5:1
AREA mm ²	81.465
PERIMETER mm.	69.099
WEIGHT kg/m	0.22

PARTY'S NAME	KARPAGAM INDUSTRIES PVT. LTD, COIMBATORE
PARTY'S DRAWING No.	AS PER SAMPLE
ALLOY & TEMPER	HE9 WP
DESCRIPTION	OVAL TUBE

DRAWING No.	SECTION No.
P-5165	-
S1368	S1368
15007	15007