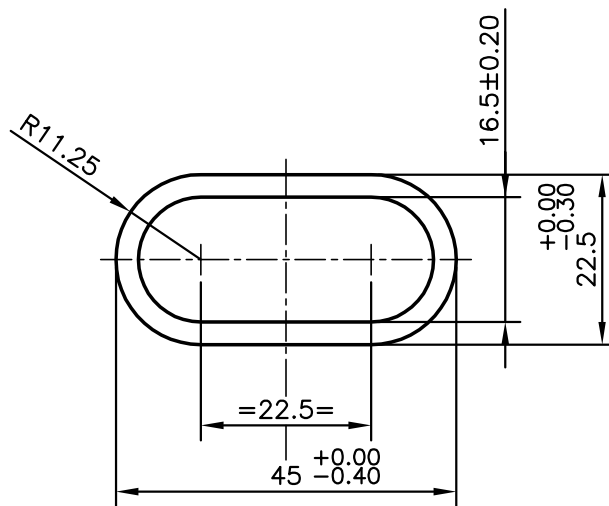



P-9175-3

S2395

15009



 SYMBOL OF QUALITY AN ISO 9001 COMPANY	<b>JINDAL ALUMINIUM LTD.</b> BANGALORE-560073 (INDIA)	NAME		DATE
		DRAWN	J.P.KAUSHIK	09-11-2009
1. ALL DIMENSIONS ARE IN mm. 2. ROUND OFF ALL SHARP CORNERS WITH 0.40 mm. 3. TOLERANCES WILL BE AS PER IS:6477-1983, UNLESS OTHERWISE SPECIFIED		CHECKED		
		APPROVED		
PARTY'S NAME MOSDORFER INDIA (P) LTD.,MUMBAI		SCALE		1:1
		AREA mm <sup>2</sup>		318.783
PARTY'S DRAWING No. 05340004 REV. 04		PERIMETER mm.		115.686
		WEIGHT kg/m		0.861
ALLOY & TEMPER 6060 T66		DRAWING No.		SECTION No.
		P-9175-3		-
DESCRIPTION OVAL TUBE		S2395		S2395
		15009		15009