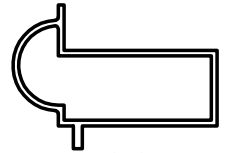
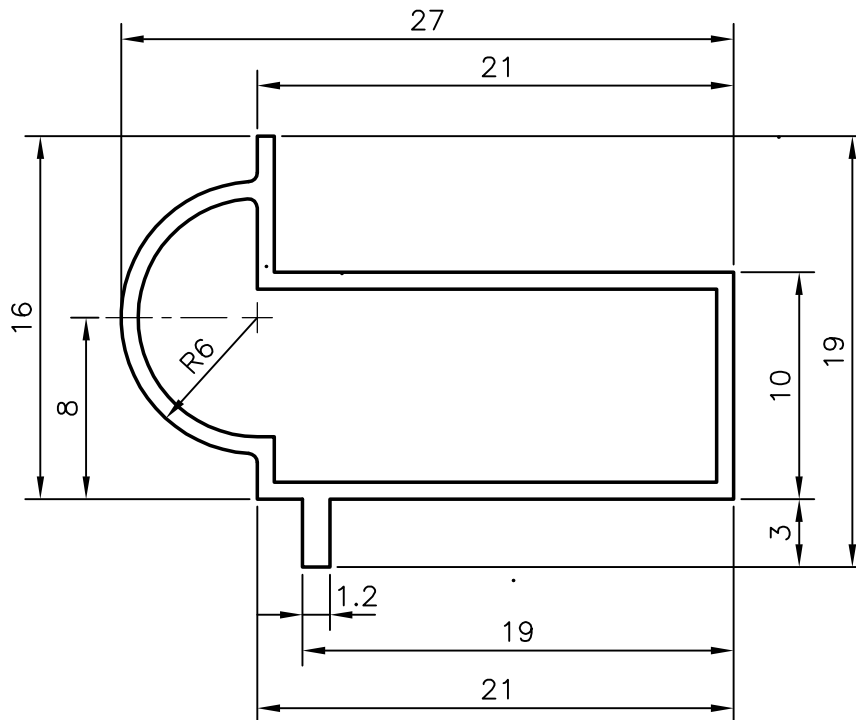


2750

15106



1:1



GENERAL WALL THICKNESS :- 0.75 mm.,
UNLESS OTHERWISE SPECIFIED

JINDAL ALUMINIUM LTD.

BANGALORE-560073

NAME

DATE

DRAWN

R.D.Sharma

07-03-98

CHECKED

APPROVED

1. ALL DIMENSIONS ARE IN mm.
2. ROUND OFF ALL SHARP CORNERS WITH 0.4 mm.
3. TOLERANCES WILL BE AS PER IS: 6477-1983 ,UNLESS OTHERWISE SPECIFIED

PARTY'S NAME

GENERAL CATEGORY

SCALE

1:1 & 3:1

PARTY'S DRAWING No.

NIL

WEIGHT kg/m

0.164

ALLOY & TEMPER

HE9 WP

SECTION No.

15106

LENGTH

3658 mm.

DRAWING No.

DESCRIPTION

MISCELLANEOUS TUBE

15106