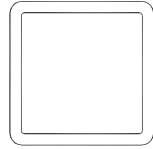


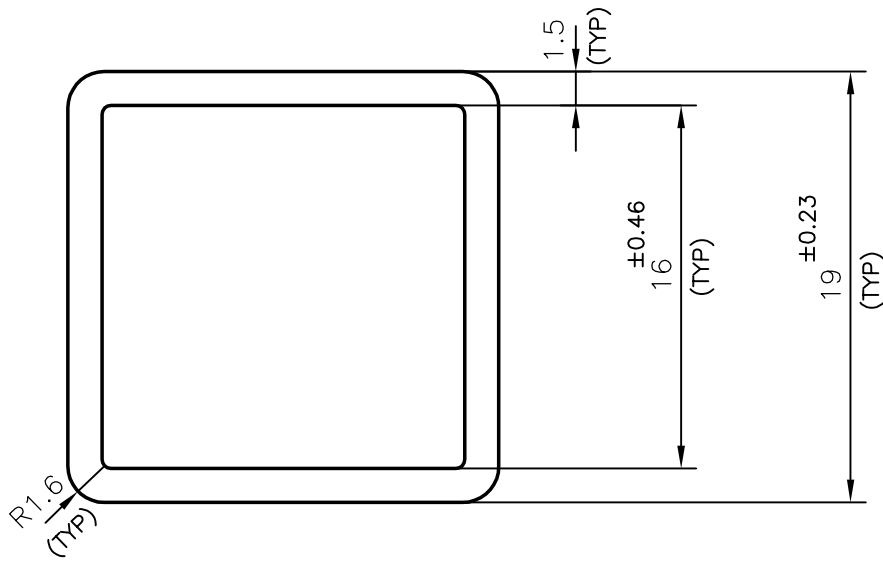
P-2186

2759

15113



1:1



JINDAL ALUMINIUM LTD.
BANGALORE-560073

NAME

DATE

DRAWN

P,KULKARNI

16-12-98

1. ALL DIMENSIONS ARE IN mm.
2. ROUND OFF ALL SHARP CORNERS WITH 0.4 mm.
3. TOLERANCES WILL BE AS PER BS:1474-1987, UNLESS OTHERWISE SPECIFIED

CHECKED

APPROVED

PARTY'S NAME

APPLE ALUMINIUM., AUSTRALIA

SCALE

3:1

PARTY'S DRAWING No.

AS PER SKETCH

WEIGHT kg/m

0.277

ALLOY & TEMPER

6063 T5

SECTION No.

15113

LENGTH

5850 mm

DRAWING No.

DESCRIPTION

MISC TUBE PROFILE

15113