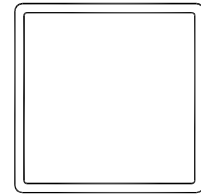
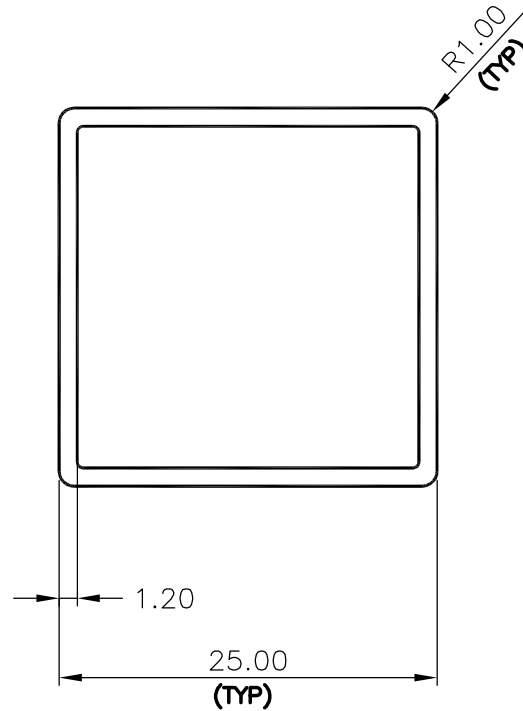


2763

15114



1:1



GENERAL WALL THICKNESS 1.20 mm

JINDAL ALUMINIUM LTD.*BANGALORE-560073*

NAME

DATE

DRAWN

P,KULKARNI**31-7-99**

1. ALL DIMENSIONS ARE IN mm.
2. ROUND OFF ALL SHARP CORNERS WITH 0.4 mm.
3. TOLERANCES WILL BE AS PER IS: 1474-1987 UNLESS OTHERWISE SPECIFIED

CHECKED

APPROVED

PARTY'S NAME

FLORLOK (U K) LTD.,

SCALE

2:1

PARTY'S DRAWING No.

AS PER SKETCH

WEIGHT kg/m

0.306

ALLOY & TEMPER

6063 T6

SECTION No.

15114

LENGTH

5.85 m

DRAWING No.

15114

DESCRIPTION

SQUARE TUBE