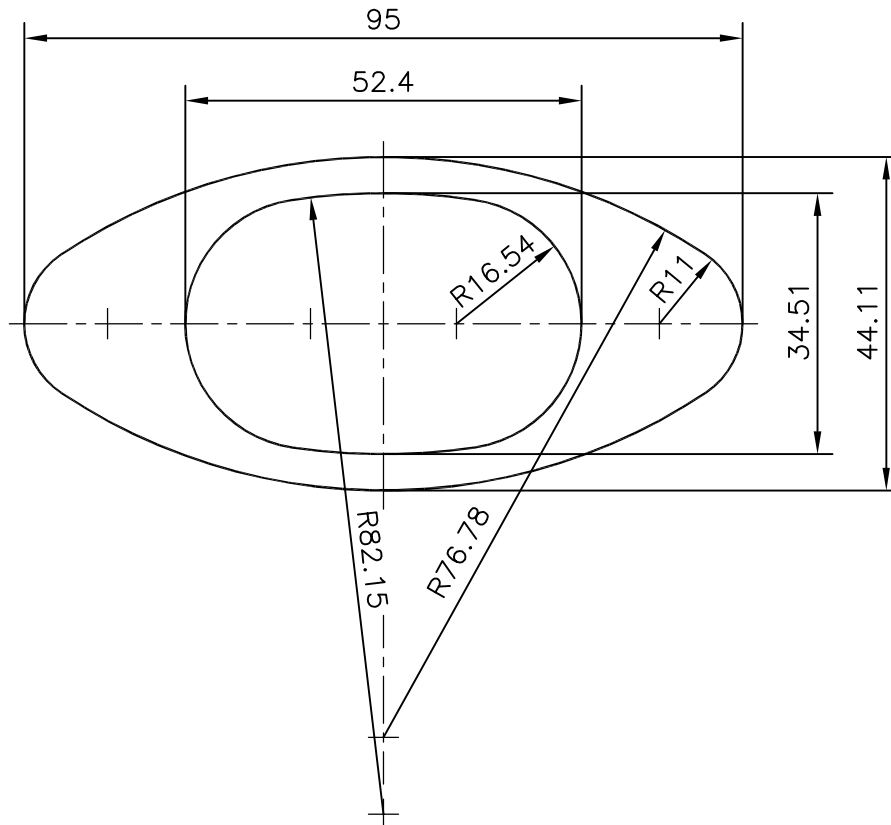


2769
15117

GENERAL	EXCLUSIVE	PARTLY EXCLUSIVE
---------	-----------	------------------



JINDAL ALUMINIUM LTD. BANGALORE-560073			NAME	DATE
		DRAWN	R.D.Sharma	22-05-97
1. ALL DIMENSIONS ARE IN mm. 2. ROUND OFF ALL SHARP CORNERS WITH 0.4 mm. 3. TOLERANCES WILL BE AS PER IS: 6477-1983 ,UNLESS OTHERWISE SPECIFIED		CHECKED		
		APPROVED		
		SCALE	1:1	
PARTY'S NAME	ASHOK LEYLAND LTD., MADRAS	WEIGHT kg/m	4.478	
PARTY'S DRAWING No.	F3200440	SECTION No.	15117	
ALLOY & TEMPER	HE9 WP (6063 T6)	DRAWING No.	15117	
LENGTH	4000 mm.			
DESCRIPTION	FUEL PUMP COUPLING			