

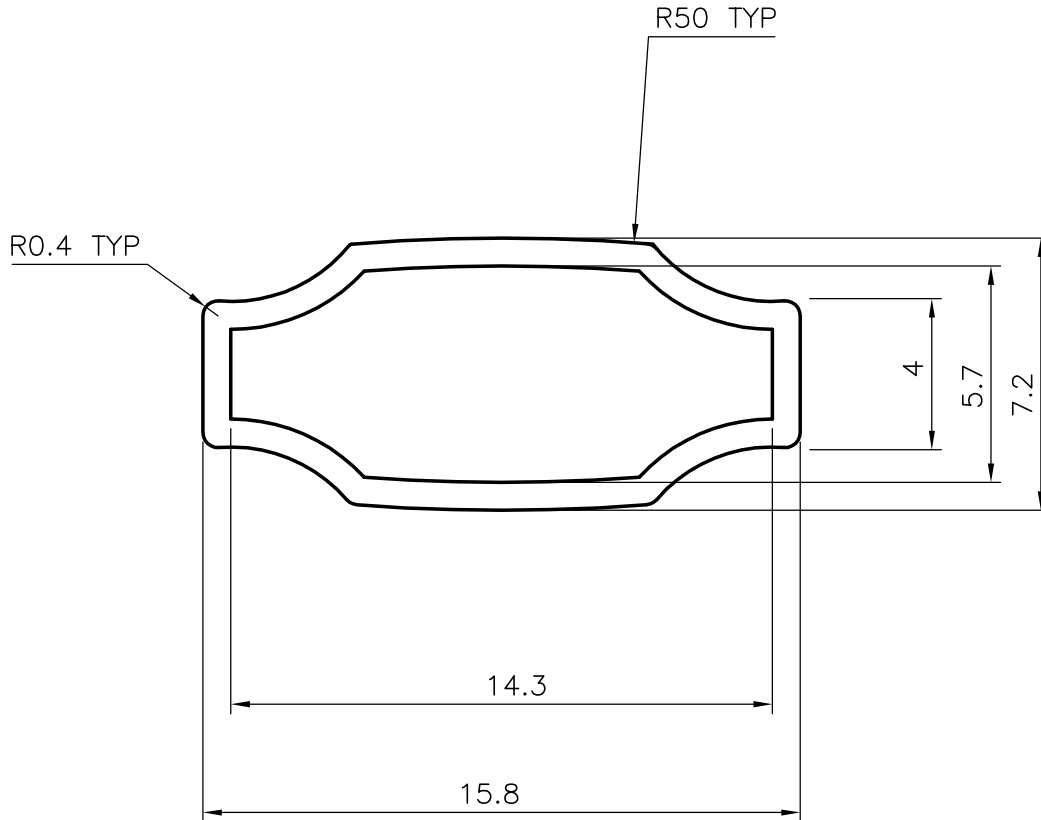
P-3030

2779

15121



SCALE 1:1



NOTE:

1.GENERAL WALL THICKNESS =0.75



SYMBOL OF QUALITY
AN ISO 9002 COMPANY

JINDAL ALUMINIUM LTD.
BANGALORE-560073 (INDIA)

	NAME	DATE
DRAWN	RANGASWAMY	08-01-01
CHECKED		
APPROVED		
SCALE	5:1 & 1:1	
WEIGHT kg/m	0.075	
SECTION No.	15121	
DRAWING No.	15121	

1. ALL DIMENSIONS ARE IN mm.
2. ROUND OFF ALL SHARP CORNERS WITH 0.40 mm.
3. TOLERANCES WILL BE AS PER I S 6477-1983 UNLESS OTHERWISE SPECIFIED

PARTY'S NAME	COPPER BUILDING MATERILA TRADING CO. U.A.E
PARTY'S DRAWING No.	AS PER SAMPLE
ALLOY & TEMPER	6063 T6
DESCRIPTION	MISC. TUBES