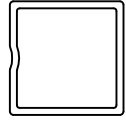


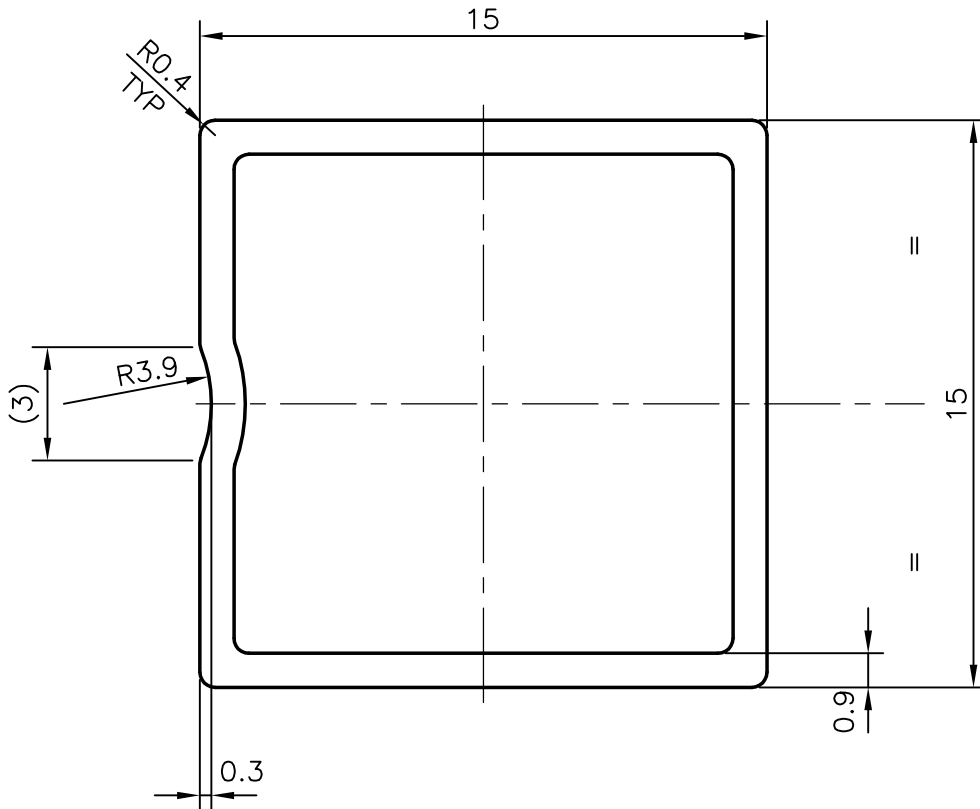
P-3861

2809

15136



1:1



SYMBOL OF QUALITY
AN ISO 9002 COMPANY

JINDAL ALUMINIUM LTD.
BANGALORE-560073 (INDIA)

	NAME	DATE
DRAWN	R.D.Sharma	16-05-02
CHECKED		
APPROVED		

1. ALL DIMENSIONS ARE IN mm.
2. ROUND OFF ALL SHARP CORNERS WITH 0.40 mm.
3. TOLERANCES WILL BE AS PER IS 6477-1983 UNLESS OTHERWISE SPECIFIED

SCALE	5:1
AREA mm ²	50.83
PERIMETER	59.39 mm

PARTY'S NAME	I-E TECHNICS (PVT) LTD.,SRI LANKA
PARTY'S DRAWING No.	AS PER SKETCH & SAMPLE
ALLOY & TEMPER	6063 T6
DESCRIPTION	MISCELLANEOUS TUBE

WEIGHT kg/m	0.137
SECTION No.	15136
DRAWING No.	15136