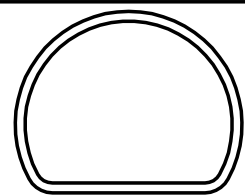
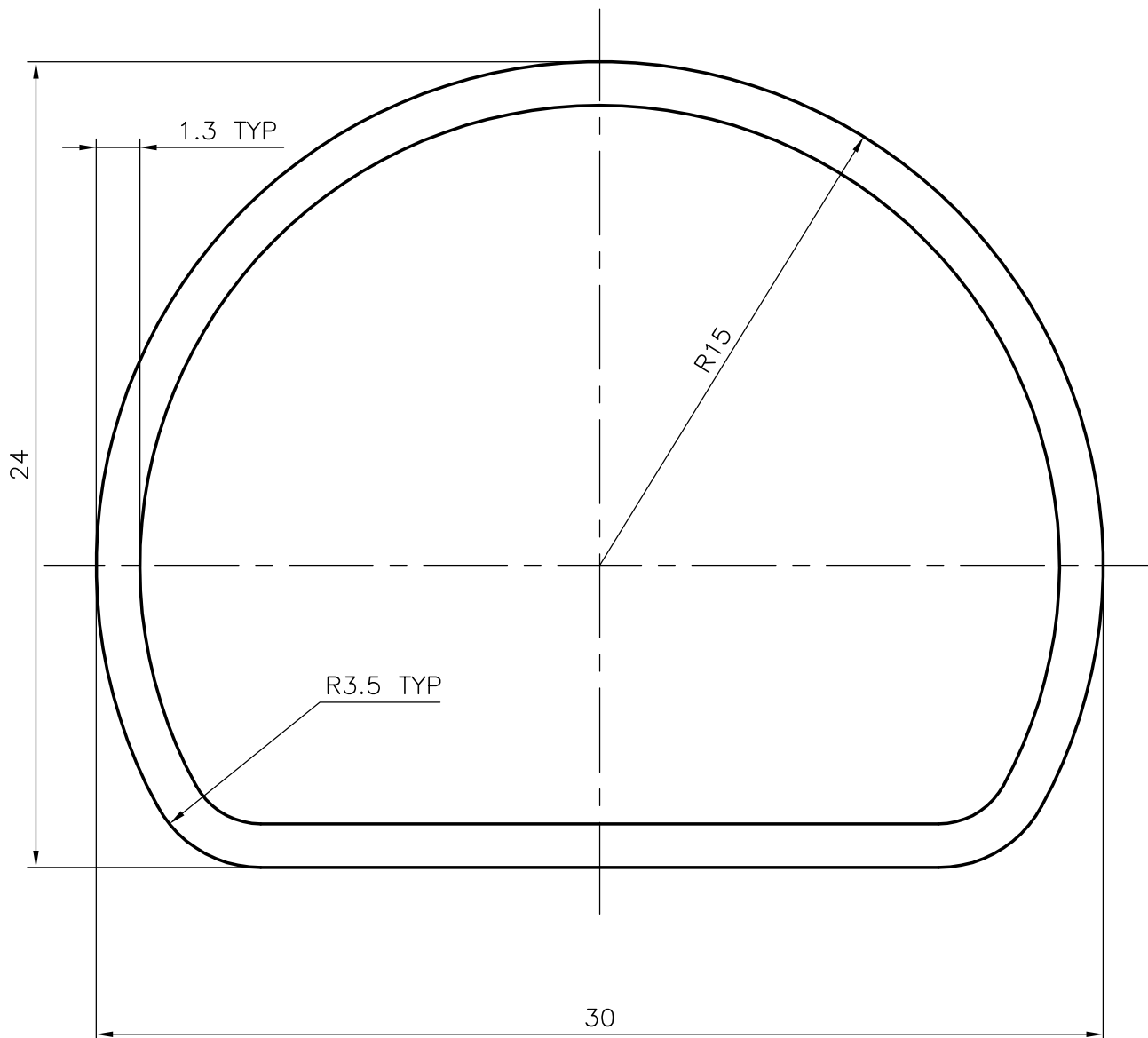



PERMIETER: -89.79mm



SCALE 1:1



15150
2828
S706

 SYMBOL OF QUALITY AN ISO 9002 COMPANY	JINDAL ALUMINIUM LTD. BANGALORE-560073 (INDIA)	NAME	DATE	
		DRAWN	RAGHAVENDRA 30-05-01	
1. ALL DIMENSIONS ARE IN mm. 2. ROUND OFF ALL SHARP CORNERS WITH 0.40 mm. 3. TOLERANCES WILL BE AS PER IS 2678-1983 UNLESS OTHERWISE SPECIFIED		CHECKED		
		APPROVED		
PARTY'S NAME		FALCON INDUSTRIES LUDHIANA	SCALE	5:1 & 1:1
PARTY'S DRAWING No.		AS PER DRAWING	WEIGHT kg/m	0.300
ALLOY & TEMPER		HE9WP	SECTION No.	15150
DESCRIPTION		MISCELLANEOUS TUBE	DRAWING No. 15150	