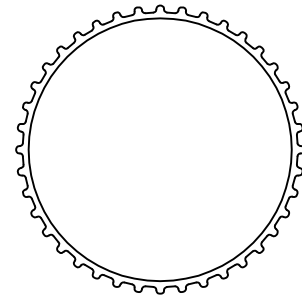
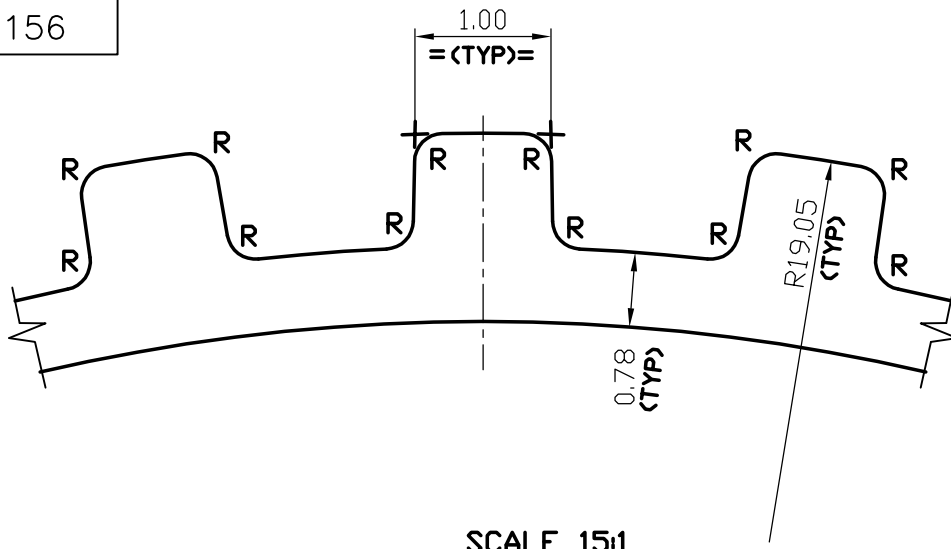


2638

15156

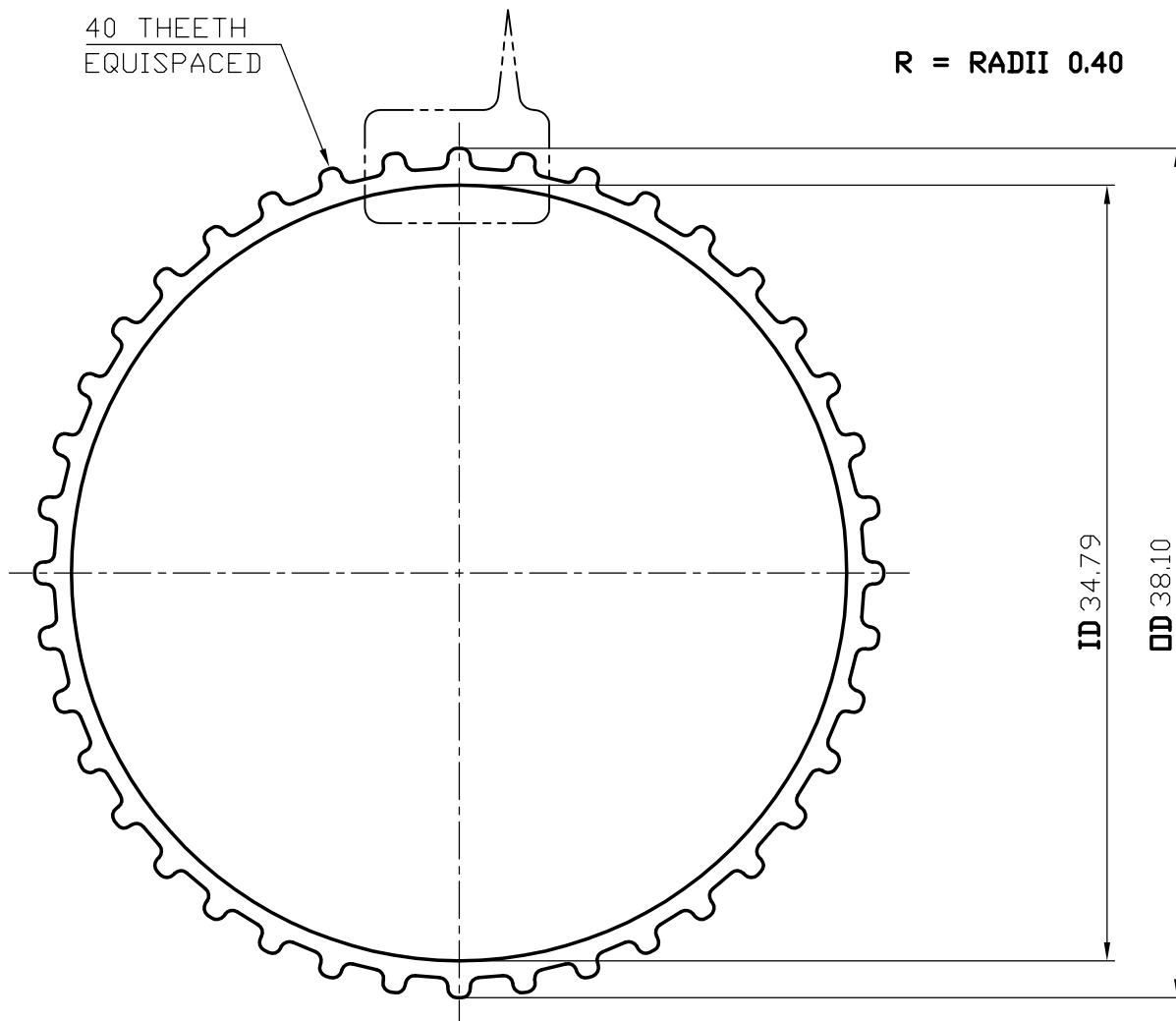


1:1

SCALE 15:1

40 THEETH
EQUISPACED

R = RADII 0.40



SYMBOL OF QUALITY
AN ISO 9002 COMPANY

JINDAL ALUMINIUM LTD.
BANGALORE-560073 (INDIA)

	NAME	DATE
DRAWN	P,KULKARNI	13-3-2K
CHECKED		
APPROVED		
SCALE	3:1	
WEIGHT kg/m	0.329	
SECTION No.	15156	
DRAWING No.	15156	

1. ALL DIMENSIONS ARE IN mm.
2. ROUND OFF ALL SHARP CORNERS WITH 0.40 mm.
3. TOLERANCES WILL BE AS PER IS: 6477-1983 UNLESS OTHERWISE SPECIFIED

PARTY'S NAME	GENERAL CATEGORY (BANGALORE MARKET)
PARTY'S DRAWING No.	AS PER SAMPLE
ALLOY & TEMPER	HE9 WP
DESCRIPTION	ROUND FLUTED RUBE