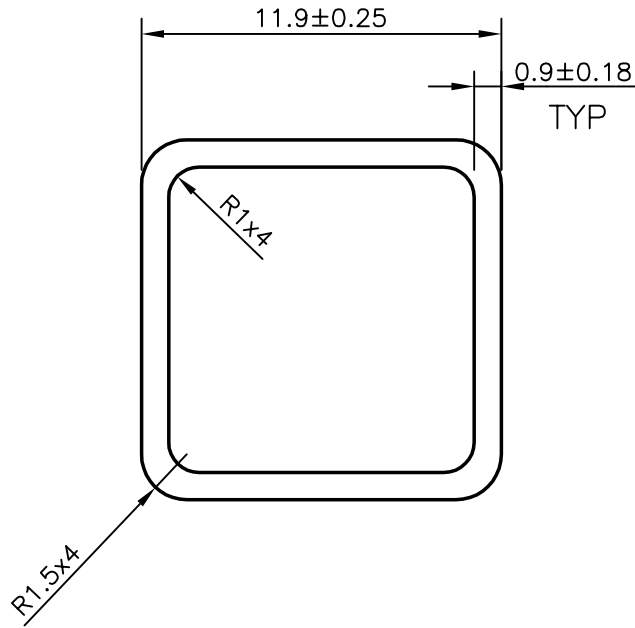


P-6866-1

15178



TO CHECK WITH PARTY PLASTIC COMPONENT



SYMBOL OF QUALITY
AN ISO 9002 COMPANY

JINDAL ALUMINIUM LTD.
BANGALORE-560073 (INDIA)

	NAME	DATE
DRAWN	J.P.KAUSHIK	14-12-2006
CHECKED		
APPROVED		

1. ALL DIMENSIONS ARE IN mm.
2. ROUND OFF ALL SHARP CORNERS WITH 0.40 mm.
3. TOLERANCES WILL BE AS PER EN12020-2:2001 UNLESS OTHERWISE SPECIFIED

SCALE	4:1
AREA mm ²	38.527
PERIMETER mm.	45.025
WEIGHT kg/m	0.104

PARTY'S NAME	TRIDENT ALUMINIUM SERVICES LTD.,U.K	DRAWING No.	P-6866-1	SECTION No.	-
PARTY'S DRAWING No.	AS PER DRAWING		15178		15178
ALLOY & TEMPER	6063 T6				
DESCRIPTION	SQUARE TUBE				