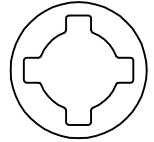
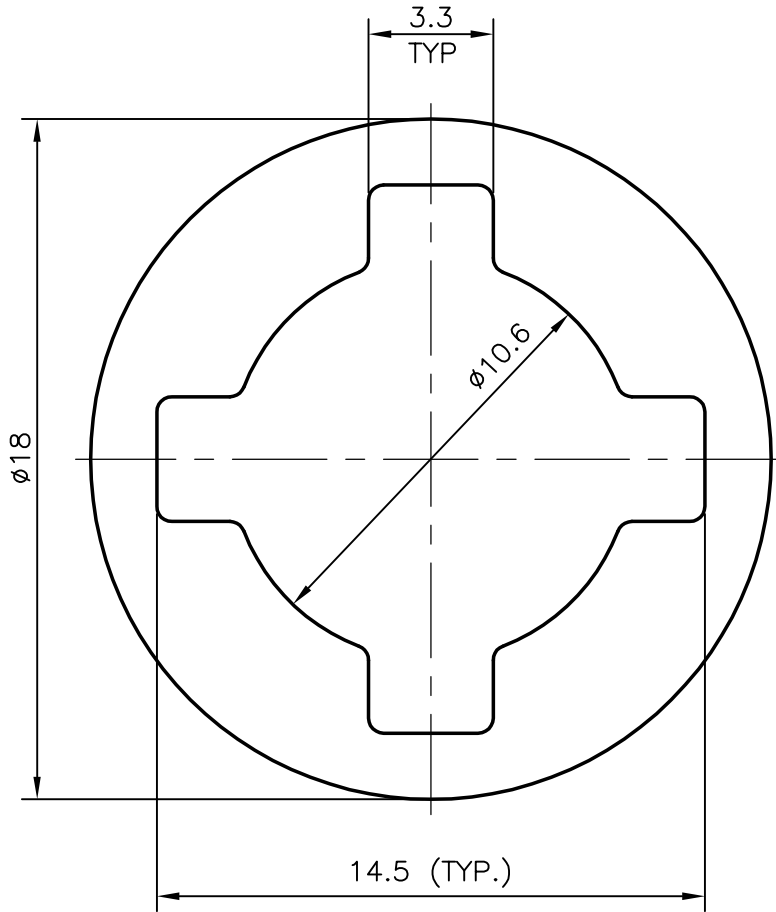


P-8640

15204



SCALE 1:1



SYMBOL OF QUALITY
AN ISO 9001 COMPANY

JINDAL ALUMINIUM LTD.
BANGALORE-560073 (INDIA)

	NAME	DATE
DRAWN	ABHARANI	13-09-2008
CHECKED		
APPROVED		

1. ALL DIMENSIONS ARE IN mm.
2. ROUND OFF ALL SHARP CORNERS WITH 0.40 mm.
3. TOLERANCES WILL BE AS PER IS:6477-1983 UNLESS OTHERWISE SPECIFIED

SCALE	5:1
AREA mm ²	139.496
PERIMETER mm.	56.549
WEIGHT kg/m	0.377

PARTY'S NAME	MADHU INDIA LTD., LUCKNOW	DRAWING No.	SECTION No.
PARTY'S DRAWING No.	DLX 380 BT200010	P-8640	-
ALLOY & TEMPER	HE9 WP	15204	15204
DESCRIPTION	BOTTOM TUBE		