

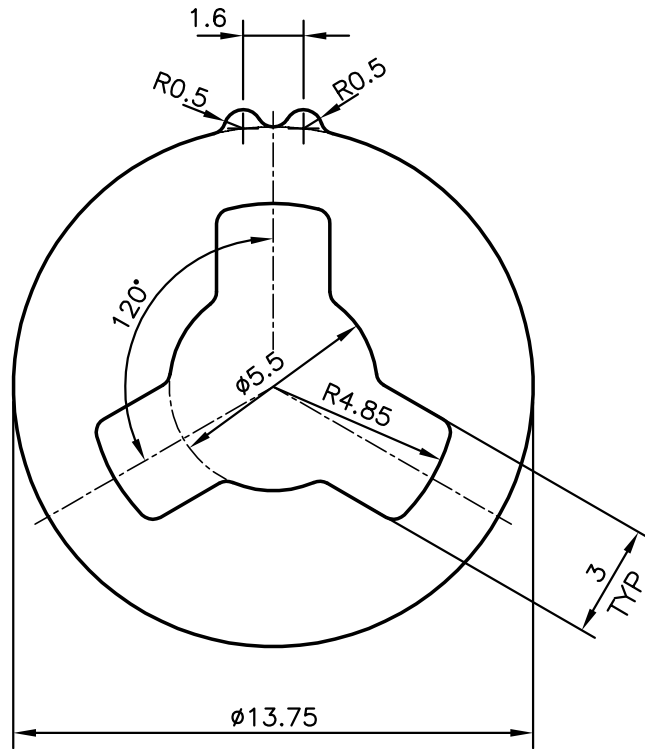
P-9109

S2114

15215



1:1



SYMBOL OF QUALITY
AN ISO 9001 COMPANY

JINDAL ALUMINIUM LTD.
BANGALORE-560073 (INDIA)

	NAME	DATE
DRAWN	J.P.KAUSHIK	12-03-2009
CHECKED		
APPROVED		
SCALE		5:1
AREA mm ²		106.166
PERIMETER mm.		44.048
WEIGHT kg/m		0.287
DRAWING No.	SECTION No.	
P-9109	-	
S2114	S2114	
15215	15215	

1. ALL DIMENSIONS ARE IN mm.
2. ROUND OFF ALL SHARP CORNERS WITH 0.40 mm.
3. TOLERANCES WILL BE AS PER BS:EN-755 UNLESS OTHERWISE SPECIFIED

PARTY'S NAME	AEROLINK INTERNATIONAL, BANGALORE
PARTY'S DRAWING No.	AS PER SAMPLE
ALLOY & TEMPER	6063 T6
DESCRIPTION	MISC. SECTION