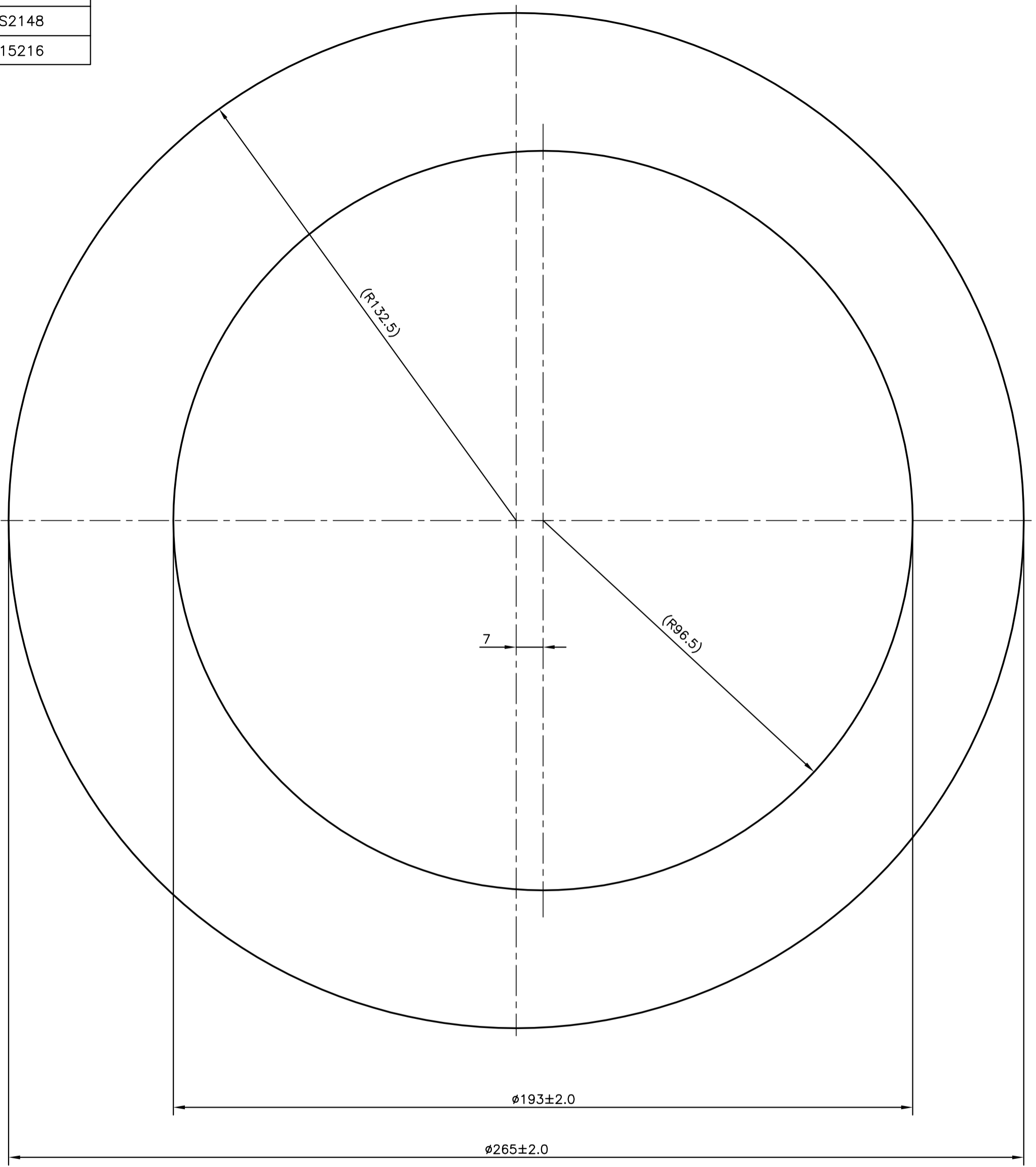



P-9217-2
S2148
15216



OVALITY  $\pm 2.0mm$

 SYMBOL OF QUALITY AN ISO 9001 COMPANY	<b>JINDAL ALUMINIUM LTD.</b> BANGALORE-560073 (INDIA)	DRAWN	J.P.KAUSHIK	DATE	23-05-2009
		CHECKED			
1. ALL DIMENSIONS ARE IN mm. 2. ROUND OFF ALL SHARP CORNERS WITH 0.40 mm. 3. TOLERANCES WILL BE AS PER IS:2673-2002 UNLESS OTHERWISE SPECIFIED		APPROVED		SCALE	1:1
PARTY'S NAME	BHARAT ELECTRONICS LTD.,BANGALORE	AREA mm <sup>2</sup>		PERIMETER mm.	832.522
PARTY'S DRAWING No.	AS PER DRAWING	WEIGHT kg/m		DRAWING No.	P-9217-2
ALLOY & TEMPER	6061 T6			SECTION No.	-
DESCRIPTION	OVAL TUBE			S2148	S2148
				15216	15216