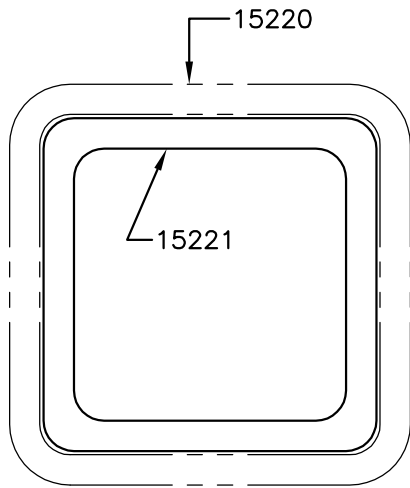
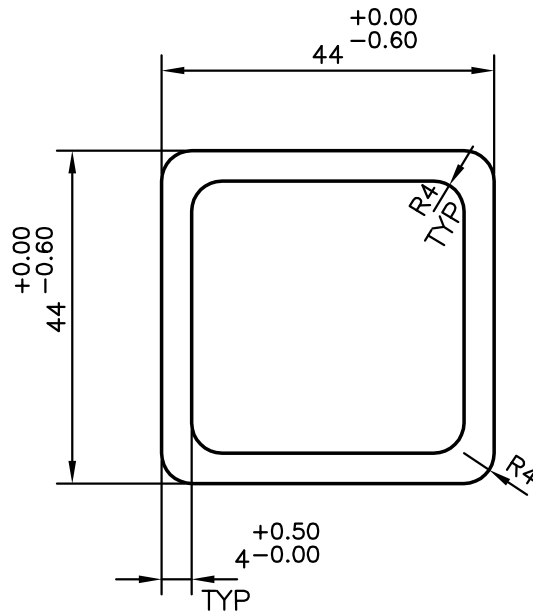



P-10039
X1281
15221



ISSUE-2 TOLERANCE ADDED

 SYMBOL OF QUALITY AN ISO 9001 COMPANY	JINDAL ALUMINIUM LTD. BANGALORE-560073 (INDIA)	DRAWN	J.P.KAUSHIK	DATE	19-06-2010	
		CHECKED				
		APPROVED				
1. ALL DIMENSIONS ARE IN mm. 2. ROUND OFF ALL SHARP CORNERS WITH 0.40 mm. 3. TOLERANCES WILL BE AS PER IS:6477-1983, UNLESS OTHERWISE SPECIFIED		SCALE		1:1		
		AREA mm ²		640		
		PERIMETER mm.		169.133		
PARTY'S NAME		JANARDAN INDUSTRIES, PUNE		WEIGHT kg/m		1.728
PARTY'S DRAWING No.		AS PER SKETCH		DRAWING No.		P-10039
ALLOY & TEMPER		6061 T6		SECTION No.		-
DESCRIPTION		SQUARE TUBE WITH CORNER RADII		X1281		X1281 (ISSUE-2)
				15221		15221