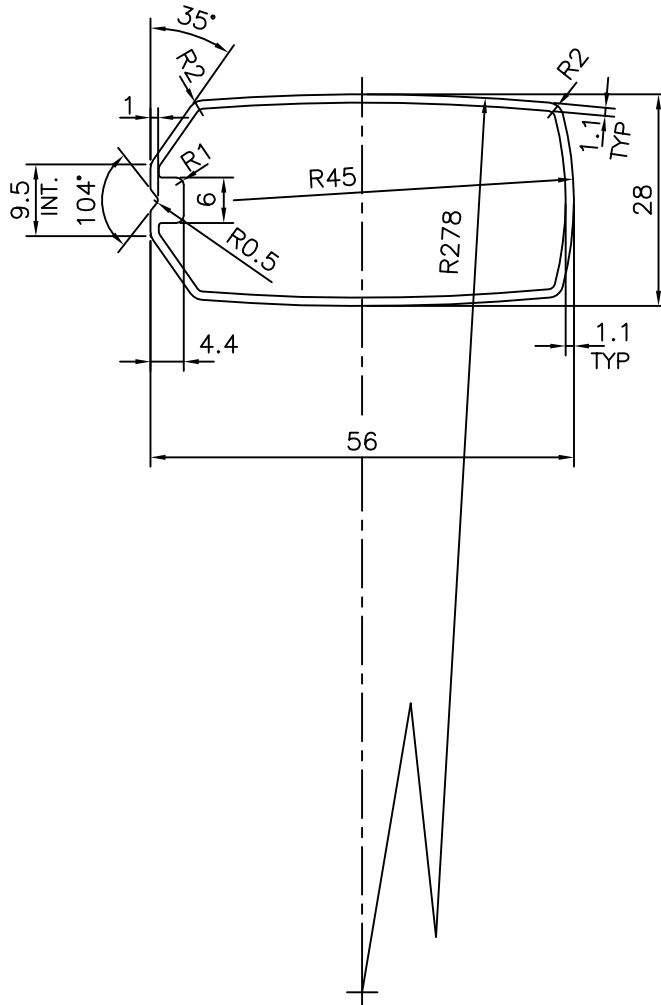


P-13462-1

15234



SYMBOL OF QUALITY  
AN ISO 9001 COMPANY

**JINDAL ALUMINIUM LTD.**  
BANGALORE-560073 (INDIA)

	NAME	DATE
DRAWN	J.P.KAUSHIK	15-03-2014
CHECKED		
APPROVED	S.S.GARG	09-04-2014
SCALE		1:1
AREA mm <sup>2</sup>		180.682
PERIMETER mm.		152.157
WEIGHT kg/m		0.488
DRAWING No.	SECTION No.	
P-13462-1	-	
15234	15234	

1. ALL DIMENSIONS ARE IN mm.
2. ROUND OFF ALL SHARP CORNERS WITH 0.40 mm.
3. TOLERANCES WILL BE AS PER IS:6477-1983, UNLESS OTHERWISE SPECIFIED

PARTY'S NAME	GENERAL CATEGORY , DELHI MARKET
PARTY'S DRAWING No.	AS PER SAMPLE & REQUIREMENT
ALLOY & TEMPER	HE9 WP
DESCRIPTION	MISC. SECTION