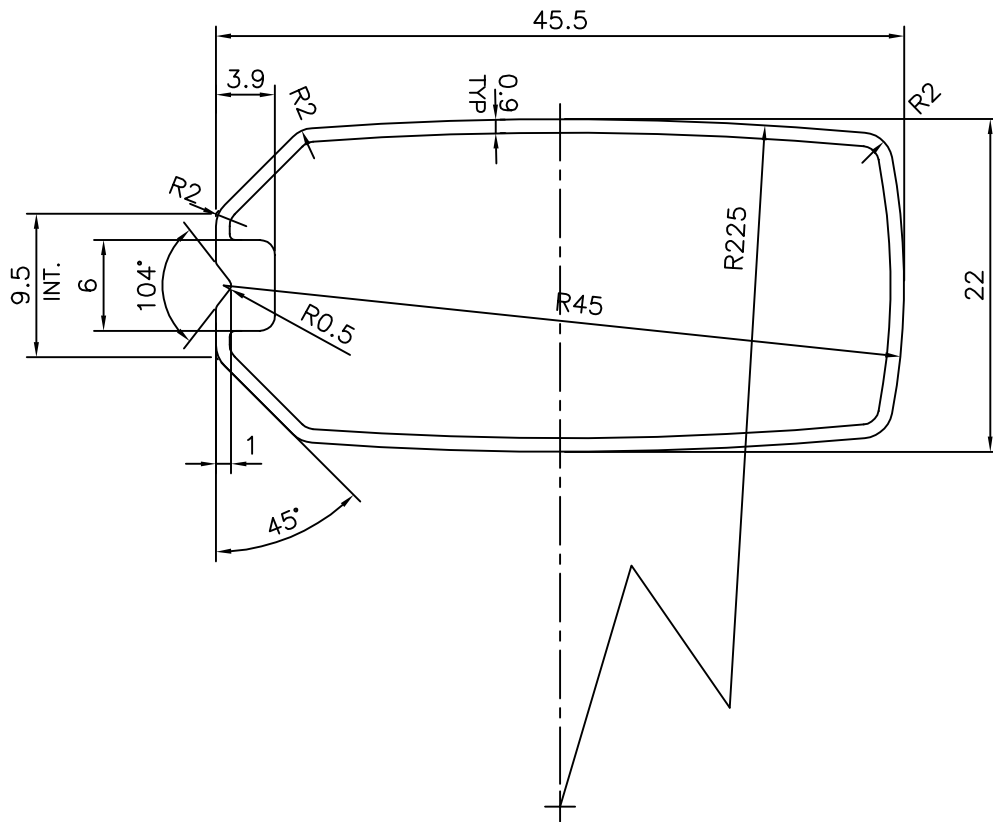
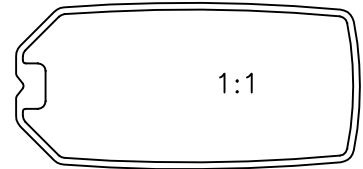


P-13463-1

15235



SYMBOL OF QUALITY
AN ISO 9001 COMPANY

JINDAL ALUMINIUM LTD.
BANGALORE-560073 (INDIA)

	NAME	DATE
DRAWN	J.P.KAUSHIK	15-03-2014
CHECKED		
APPROVED	S.S.GARG	09-04-2014
SCALE		2:1
AREA mm ²		123.246
PERIMETER mm.		122.613
WEIGHT kg/m		0.333
DRAWING No.	SECTION No.	
P-13463-1	-	
15235	15235	

1. ALL DIMENSIONS ARE IN mm.
2. ROUND OFF ALL SHARP CORNERS WITH 0.40 mm.
3. TOLERANCES WILL BE AS PER IS:6477-1983, UNLESS OTHERWISE SPECIFIED

PARTY'S NAME	GENERAL CATEGORY , DELHI MARKET
PARTY'S DRAWING No.	AS PER SAMPLE
ALLOY & TEMPER	HE9 WP
DESCRIPTION	MISC. SECTION