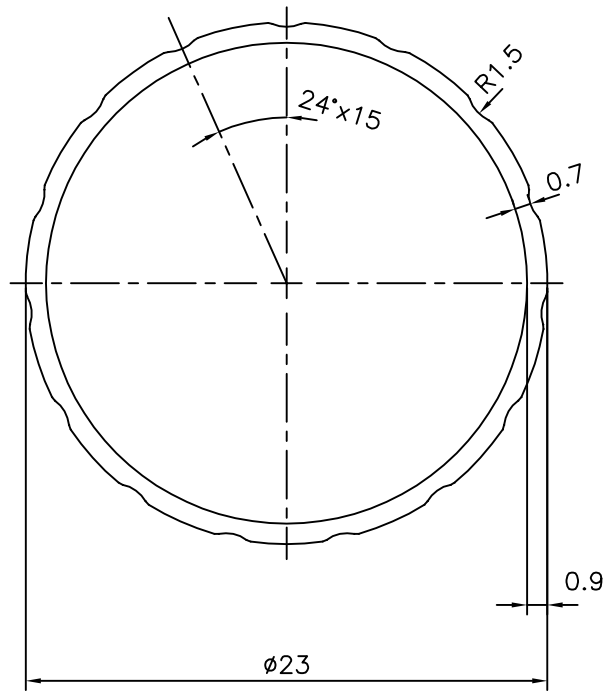
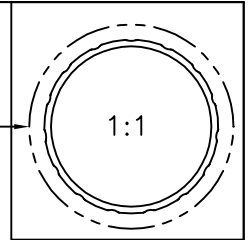


P-13490

15236

EXPOSED SURFACE



SYMBOL OF QUALITY
AN ISO 9001 COMPANY

JINDAL ALUMINIUM LTD.
BANGALORE-560073 (INDIA)

	NAME	DATE
DRAWN	J.P.KAUSHIK	24-03-2014
CHECKED		
APPROVED	S.S.GARG	09-04-2014
SCALE		3:1
AREA mm ²		59.59
PERIMETER mm.		72.978
WEIGHT kg/m		0.161
DRAWING No.	SECTION No.	
P-13490	-	
15236	15236	

1. ALL DIMENSIONS ARE IN mm.
2. ROUND OFF ALL SHARP CORNERS WITH 0.40 mm.
3. TOLERANCES WILL BE AS PER IS:6477-1983, UNLESS OTHERWISE SPECIFIED

PARTY'S NAME	GENERAL CATEGORY, DELHI MARKET
PARTY'S DRAWING No.	AS PER SAMPLE
ALLOY & TEMPER	HE9 WP
DESCRIPTION	FLUTED ROUND TUBE