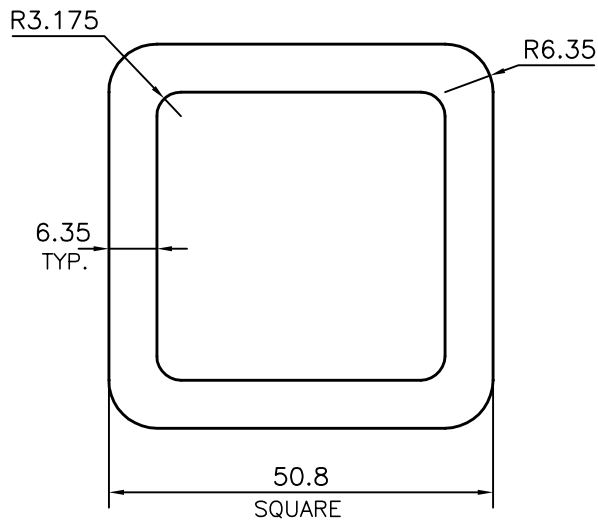


P-13768-2

15239



SYMBOL OF QUALITY  
AN ISO 9001 COMPANY

**JINDAL ALUMINIUM LTD.**  
*BANGALORE-560073 (INDIA)*

	NAME	DATE
DRAWN	PARVESH	26-07-2014
CHECKED		
APPROVED	S.S.GARG	04-08-2014
SCALE		1:1
AREA mm <sup>2</sup>		1103.07
PERIMETER mm.		192.298
WEIGHT kg/m		2.978
DRAWING No.	SECTION No.	
P-13768-2	-	
15239	15239	

1. ALL DIMENSIONS ARE IN mm.
2. ROUND OFF ALL SHARP CORNERS WITH 0.40 mm.
3. TOLERANCES WILL BE AS PER ANSI:H35.2-2009 , UNLESS OTHERWISE SPECIFIED

PARTY'S NAME	PROSOURCE INDL. SOLUTIONS INC., CANADA
PARTY'S DRAWING No.	AS PER SPECIFICATION
ALLOY & TEMPER	6063 T6
DESCRIPTION	SQUARE TUBE WITH CORNER RADIUS