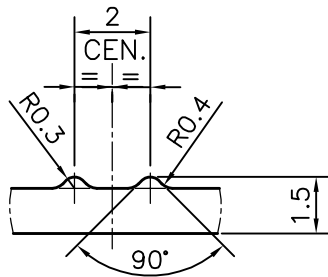
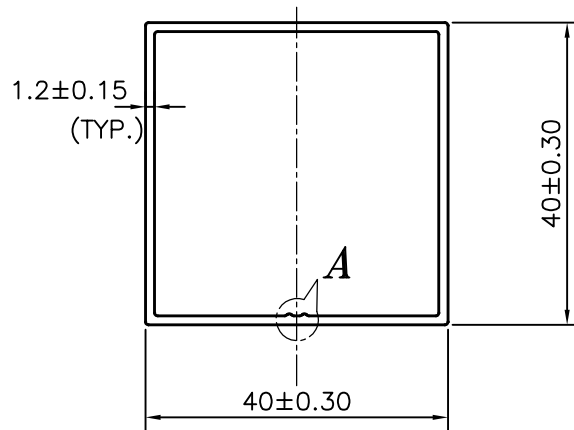


P-11493-1

S3242

15240



DETAIL OF "A"  
SCALE 5:1



SYMBOL OF QUALITY  
AN ISO 9001 COMPANY

**JINDAL ALUMINIUM LTD.**  
BANGALORE-560073 (INDIA)

	NAME	DATE
DRAWN	PARVESH	01-03-2012
CHECKED		
APPROVED	S.S.GARG	02-04-2012
SCALE		1:1
AREA mm <sup>2</sup>		186.575
PERIMETER mm.		159.313
WEIGHT kg/m		0.504
DRAWING No.	SECTION No.	
P-11493-1	-	
S3242	S3242	
15240	15240	

1. ALL DIMENSIONS ARE IN mm.
2. ROUND OFF ALL SHARP CORNERS WITH 0.40 mm.
3. TOLERANCES WILL BE AS PER DIN EN-12020-2, UNLESS OTHERWISE SPECIFIED

PARTY'S NAME	SPACEBIZ SOLUTIONS PVT. LTD., BANGALORE
PARTY'S DRAWING No.	AS PER SAMPLE
ALLOY & TEMPER	HE9 WP
DESCRIPTION	SQUARE TUBE WITH PIPS