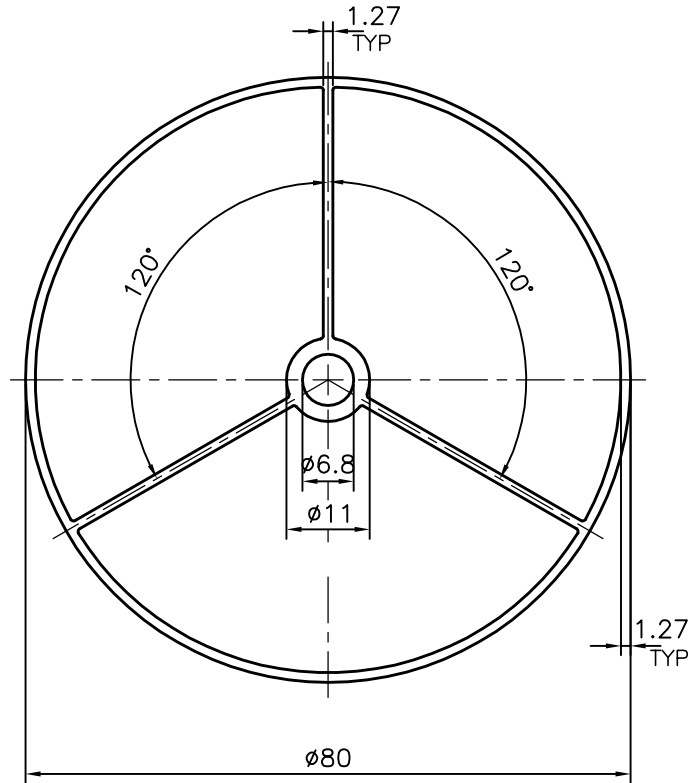


P-14039

15242



SYMBOL OF QUALITY  
AN ISO 9001 COMPANY

**JINDAL ALUMINIUM LTD.**  
BANGALORE-560073 (INDIA)

	NAME	DATE
DRAWN	J.P.KAUSHIK	11-10-2014
CHECKED		
APPROVED	S.S.GARG	05-11-2014

1. ALL DIMENSIONS ARE IN mm.
2. ROUND OFF ALL SHARP CORNERS WITH 0.40 mm.
3. TOLERANCES WILL BE AS PER IS:6477-1983, UNLESS OTHERWISE SPECIFIED

SCALE	1:1
AREA mm <sup>2</sup>	499.84
PERIMETER mm.	251.327
WEIGHT kg/m	1.35

PARTY'S NAME	GENERAL CATEGORY, BANGALORE MARKET	DRAWING No.	SECTION No.
PARTY'S DRAWING No.	AS PER SAMPLE	P-14039	-
ALLOY & TEMPER	HE9 WP	15242	15242
DESCRIPTION	MISC. TUBE		