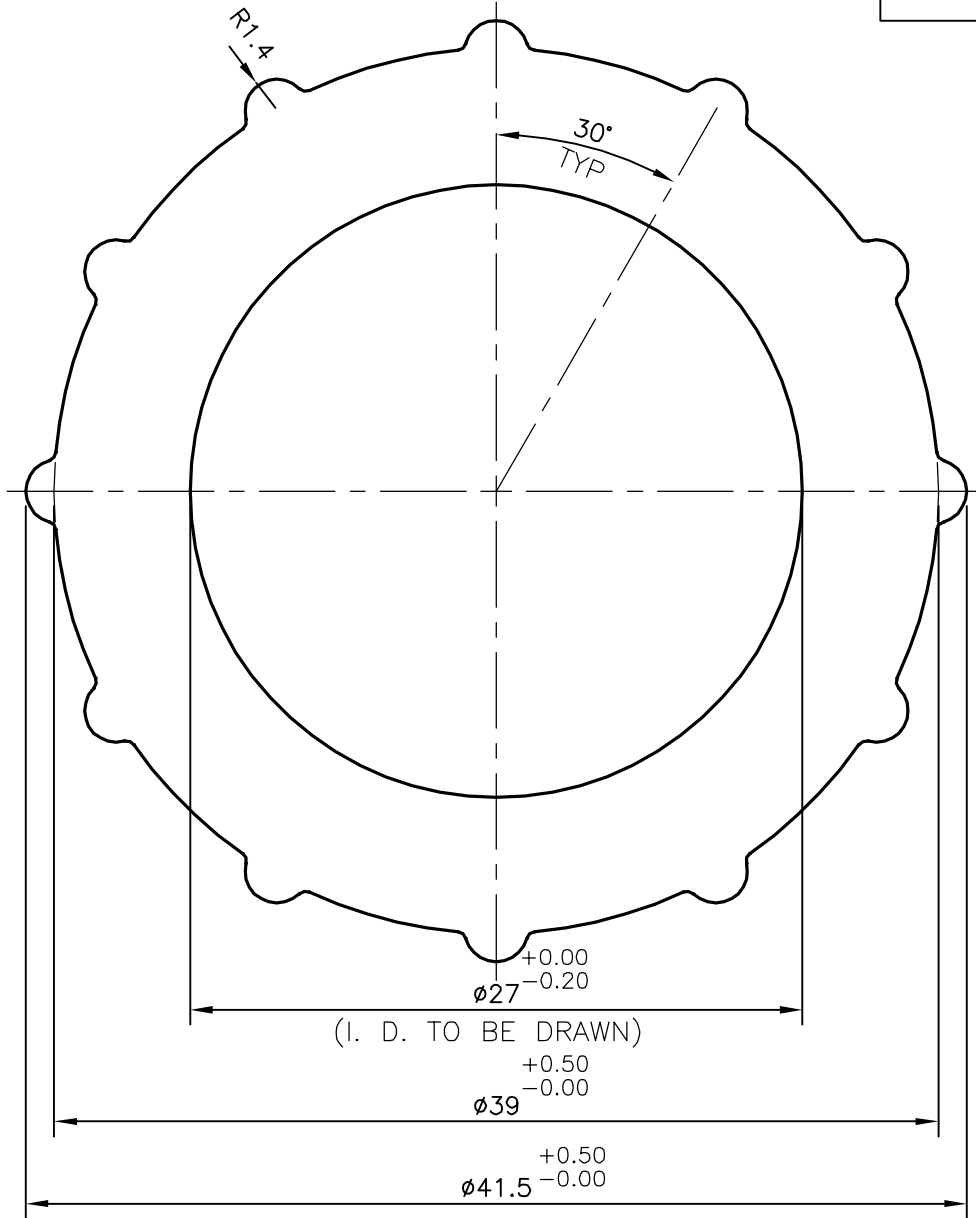
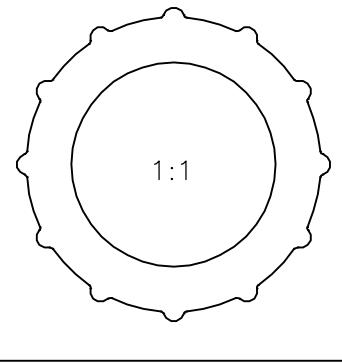


P-14590-1

15248



SYMBOL OF QUALITY  
AN ISO 9001 COMPANY

**JINDAL ALUMINIUM LTD.**  
BANGALORE-560073 (INDIA)

	NAME	DATE
DRAWN	J.P.KAUSHIK	05-05-2015
CHECKED		
APPROVED	S.S.GARG	15-06-2015
SCALE		3:1
AREA mm <sup>2</sup>		654.91
PERIMETER mm.		137.139
WEIGHT kg/m		1.768
DRAWING No.	SECTION No.	
P-14590-1	-	
15248	15248	

1. ALL DIMENSIONS ARE IN mm.
2. ROUND OFF ALL SHARP CORNERS WITH 0.40 mm.
3. TOLERANCES WILL BE AS PER BS:EN-12020-2 UNLESS OTHERWISE SPECIFIED

PARTY'S NAME	TUBE AND FITTING AFRICA MIDDLE EAST, GERMANY
PARTY'S DRAWING No.	AS PER DRAWING
ALLOY & TEMPER	6060 T66
DESCRIPTION	MISC. TUBE