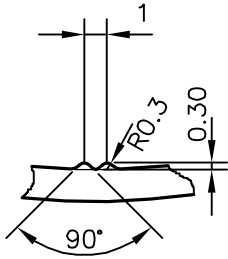
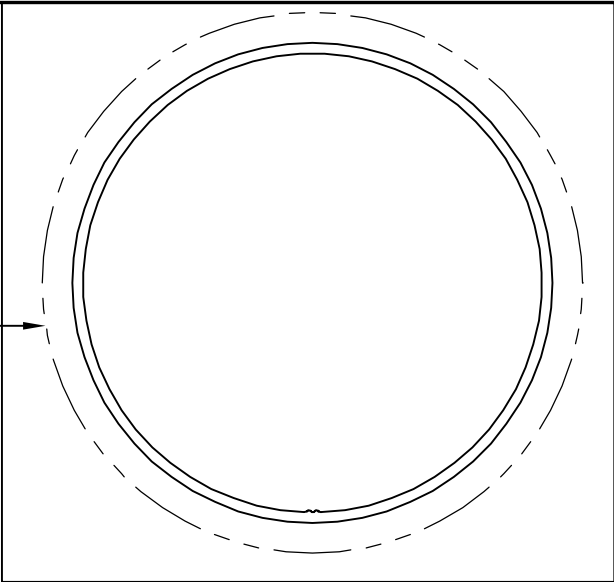
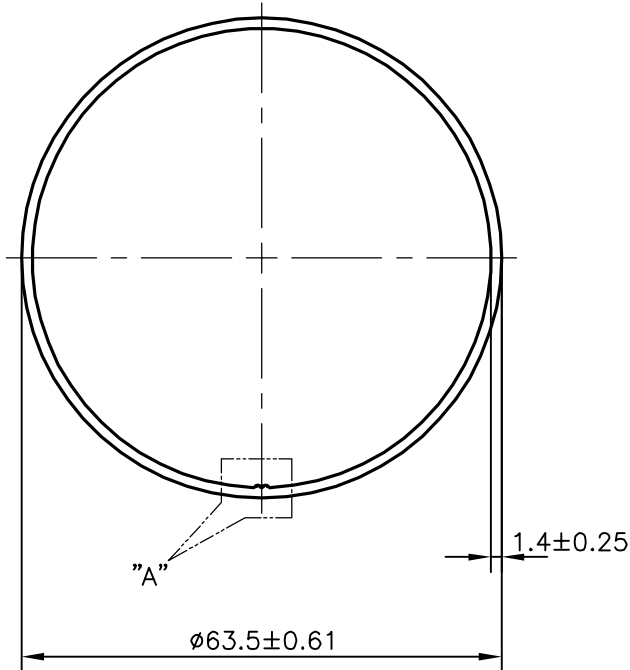



P-10505
X1422
15253



DETAIL OF "A"
SCALE 3:1



 SYMBOL OF QUALITY AN ISO 9001 COMPANY	JINDAL ALUMINIUM LTD. BANGALORE-560073 (INDIA)		NAME	DATE
		DRAWN	J.P.KAUSHIK	19-10-2010
1. ALL DIMENSIONS ARE IN mm. 2. ROUND OFF ALL SHARP CORNERS WITH 0.40 mm. 3. TOLERANCES WILL BE AS PER BS:EN-755 UNLESS OTHERWISE SPECIFIED		CHECKED		
		APPROVED	S.S.GARG	15-11-2010
PARTY'S NAME LYNCH METAL, USA		SCALE		1:1
		AREA mm ²		273.456
PARTY'S DRAWING No. PAV-0000534		PERIMETER mm.		199.491
		WEIGHT kg/m		0.738
ALLOY & TEMPER 6063 T5		DRAWING No.		P-10505
		SECTION No.		-
DESCRIPTION ROUND TUBE MISC.		X1422		X1422
		15253		15253