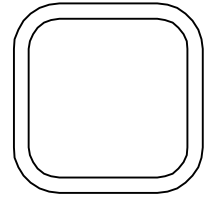
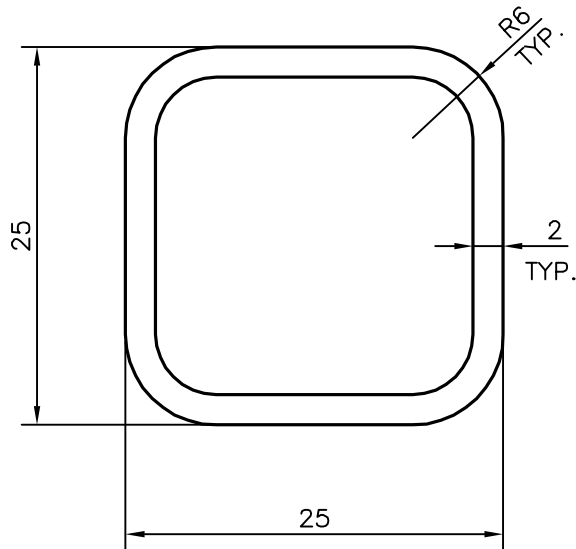


P-16385

15267



SCALE 1:1



SYMBOL OF QUALITY  
AN ISO 9001 COMPANY

**JINDAL ALUMINIUM LTD.**  
BANGALORE-560073 (INDIA)

	NAME	DATE
DRAWN	KIRAN	21-09-2016
CHECKED		
APPROVED	S.S. GARG	23-09-2016
SCALE		1:2
AREA mm <sup>2</sup>		166.832
PERIMETER mm.		89.699
WEIGHT kg/m		0.450
DRAWING No.	SECTION No.	
P-16385	-	
15267	15267	

1. ALL DIMENSIONS ARE IN mm.
2. ROUND OFF ALL SHARP CORNERS WITH 0.40 mm.
3. TOLERANCES WILL BE AS PER EN:755/9 , UNLESS OTHERWISE SPECIFIED

PARTY'S NAME	COPALCOR TRADING, SOUTH AFRICA
PARTY'S DRAWING No.	AC14573
ALLOY & TEMPER	6063 T6
DESCRIPTION	SQUARE TUBE-WITH CORNER RADII