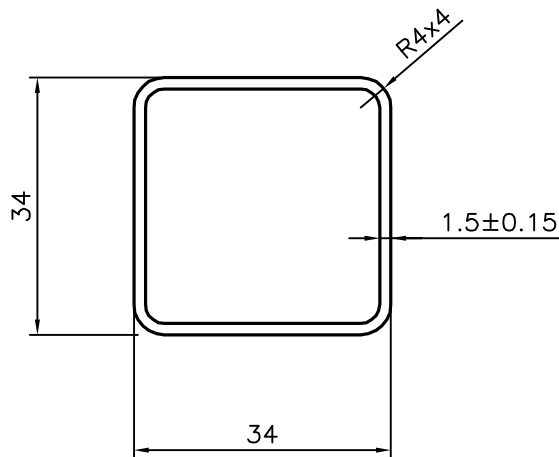


P-14531

S4433

15271



SYMBOL OF QUALITY
AN ISO 9001 COMPANY

JINDAL ALUMINIUM LTD.
BANGALORE-560073 (INDIA)

	NAME	DATE
DRAWN	J.P.KAUSHIK	01-04-2015
CHECKED		
APPROVED	S.S.GARG	15-04-2015
SCALE		1:1
AREA mm ²		186.631
PERIMETER mm.		129.133
WEIGHT kg/m		0.504
DRAWING No.	SECTION No.	
P-14531	-	
S4433	S4433	
15271	15271	

1. ALL DIMENSIONS ARE IN mm.
2. ROUND OFF ALL SHARP CORNERS WITH 0.40 mm.
3. TOLERANCES WILL BE AS PER IS:6477-1983 UNLESS OTHERWISE SPECIFIED

PARTY'S NAME	AGUERRI INDUSTRIES PVT. LTD., CHENNAI
PARTY'S DRAWING No.	00643
ALLOY & TEMPER	6063 T5
DESCRIPTION	SQUARE TUBE WITH CORNER RADIUS 4 mm