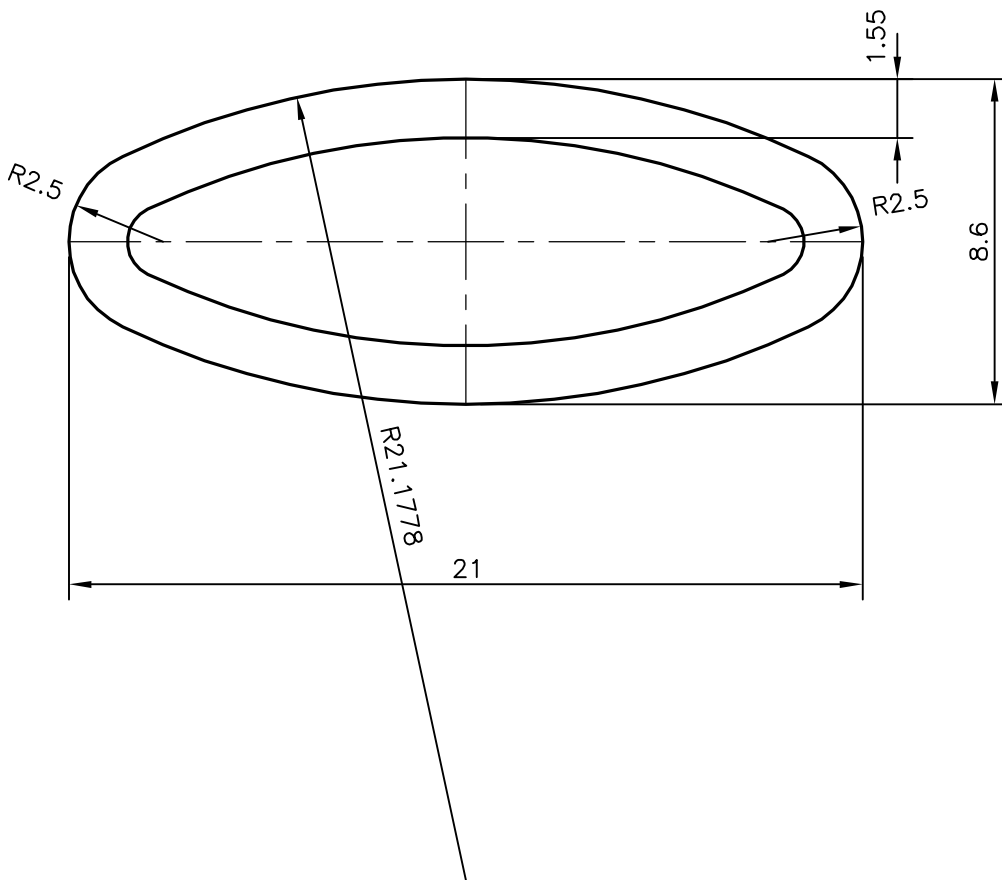
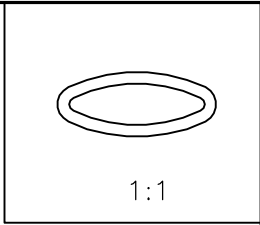



|         |
|---------|
| P-14577 |
| S4446   |
| 15272   |



|  |  |                      |             |                  |
|--|--|----------------------|-------------|------------------|
| <br>SYMBOL OF QUALITY<br>AN ISO 9001 COMPANY                      | <b>JINDAL ALUMINIUM LTD.</b><br>BANGALORE-560073 (INDIA) | DRAWN                | J.P.KAUSHIK | 23-04-2015       |
|  |  | CHECKED              |             |                  |
| 1. ALL DIMENSIONS ARE IN mm.<br>2. ROUND OFF ALL SHARP CORNERS WITH 0.40 mm.<br>3. TOLERANCES WILL BE AS PER IS:6477-1983 UNLESS OTHERWISE SPECIFIED |  | APPROVED             | S.S.GARG    | 25-04-2015       |
|  |  | SCALE                |             | 5:1              |
| PARTY'S NAME<br>TTK HEALTH CARE LTD., BANGALORE  |  | AREA mm <sup>2</sup> |             | 68.057           |
|  |  | PERIMETER mm.        |             | 48.777           |
| PARTY'S DRAWING No.<br>AS PER SAMPLE   |  | WEIGHT kg/m          |             | 0.184            |
|  |  | DRAWING No.          | P-14577     | SECTION No.<br>- |
| ALLOY & TEMPER<br>6060 T6  |  |                      | S4446       | S4446            |
|  |  |                      | 15272       | 15272            |
| DESCRIPTION<br>OVAL TUBE   |  |                      |             |                  |