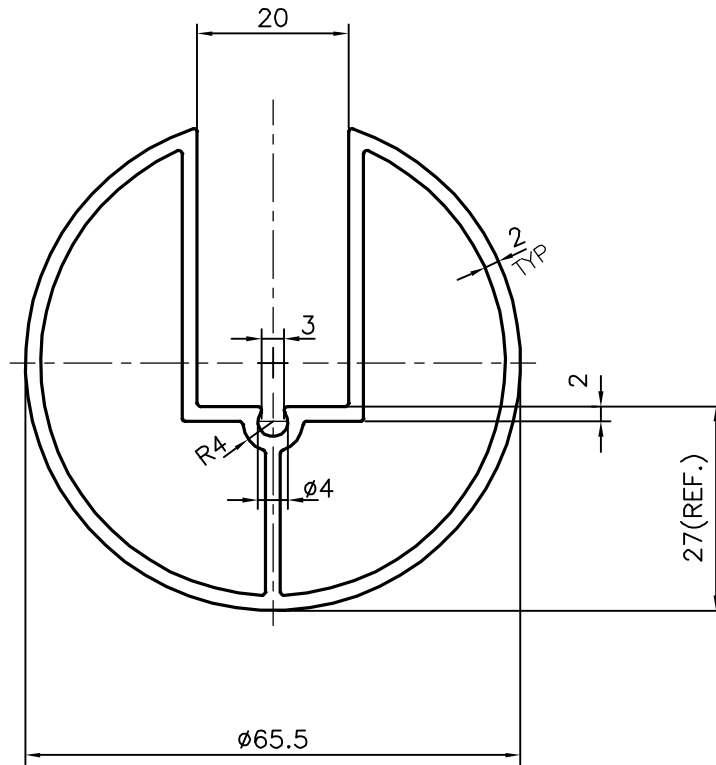


P-14615

15276



SYMBOL OF QUALITY
AN ISO 9001 COMPANY

JINDAL ALUMINIUM LTD.
BANGALORE-560073 (INDIA)

	NAME	DATE
DRAWN	J.P.KAUSHIK	07-05-2015
CHECKED		
APPROVED	B.NATARAJA	29-06-2017
SCALE		1:1
AREA mm ²		594.224
PERIMETER mm.		285.348
WEIGHT kg/m		1.604
DRAWING No.	SECTION No.	
P-14615	-	
15276	15276	

1. ALL DIMENSIONS ARE IN mm.
2. ROUND OFF ALL SHARP CORNERS WITH 0.4 mm.
3. TOLERANCES WILL BE AS PER IS:6477-1983, UNLESS OTHERWISE SPECIFIED

PARTY'S NAME	GENERAL CATEGORY, MUMBAI MARKET
PARTY'S DRAWING No.	AS PER SAMPLE & MODIFICATION
ALLOY & TEMPER	HE9 WP
DESCRIPTION	MISC. TUBE