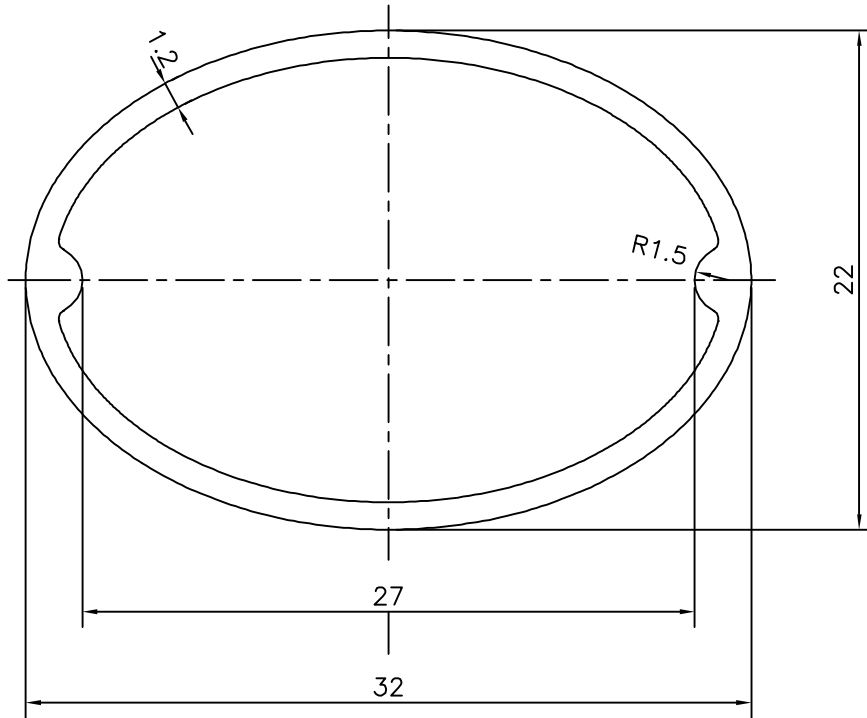
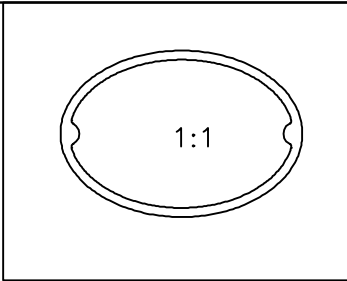



P-15755
X2004
15280



 SYMBOL OF QUALITY AN ISO 9001 COMPANY	<b>JINDAL ALUMINIUM LTD.</b> BANGALORE-560073 (INDIA)	NAME		DATE
		DRAWN	J.P.KAUSHIK	07-04-2016
1. ALL DIMENSIONS ARE IN mm. 2. ROUND OFF ALL SHARP CORNERS WITH 0.40 mm. 3. TOLERANCES WILL BE AS PER,IS:6477-1983 UNLESS OTHERWISE SPECIFIED		CHECKED		
		APPROVED		S.S. GARG 14-04-2016
PARTY'S NAME		SCALE		3:1
		AREA mm <sup>2</sup>		103.783
PARTY'S DRAWING No.		PERIMETER mm.		85.552
		WEIGHT kg/m		0.280
ALLOY & TEMPER		DRAWING No.		P-15755
		SECTION No.		-
DESCRIPTION		X2004		X2004
		15280		15280